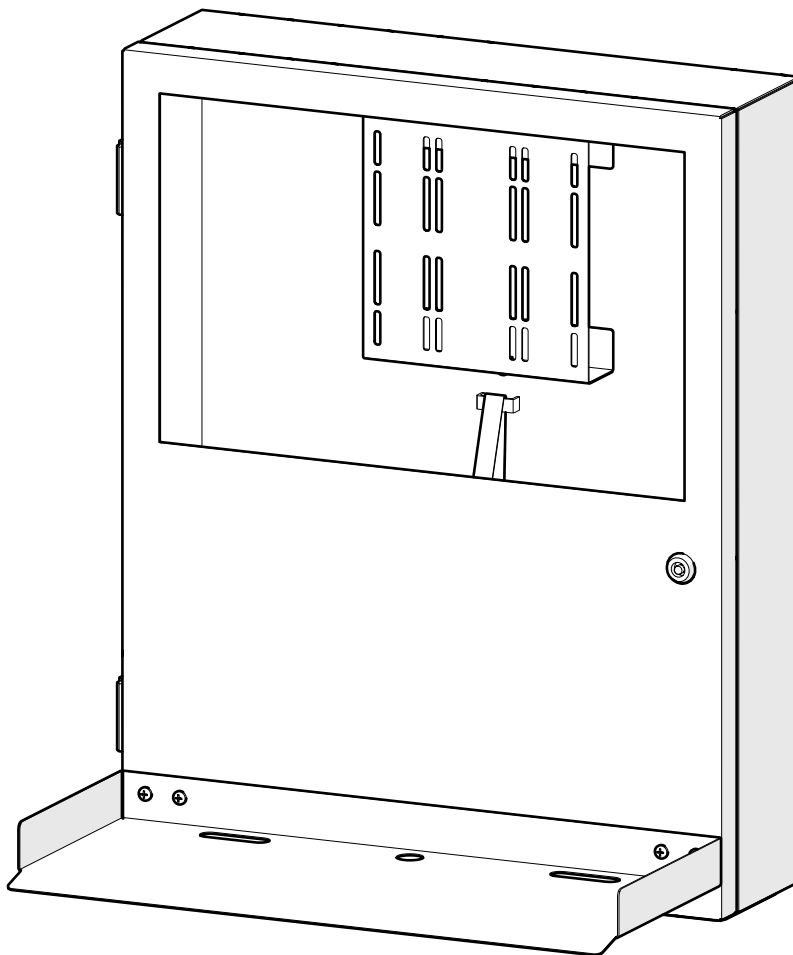




## ASSEMBLY & INSTALLATION INSTRUCTIONS

### PC Defender Computer Enclosure

v 1.0



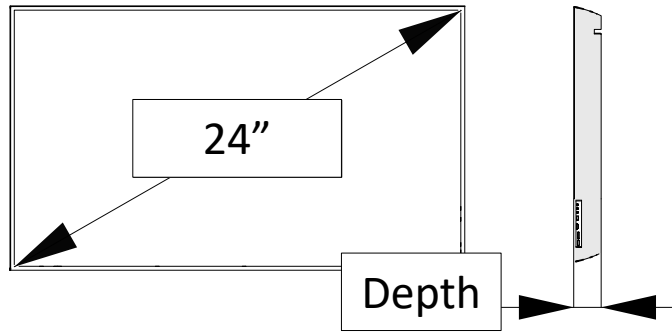
If you have any questions, please contact us at [info@pcenclosures.net](mailto:info@pcenclosures.net), or call at (866) 646-4383  
Mon – Fri 9am – 4pm (MT)

# Before getting started, let's make sure this TV Enclosure will work for you!

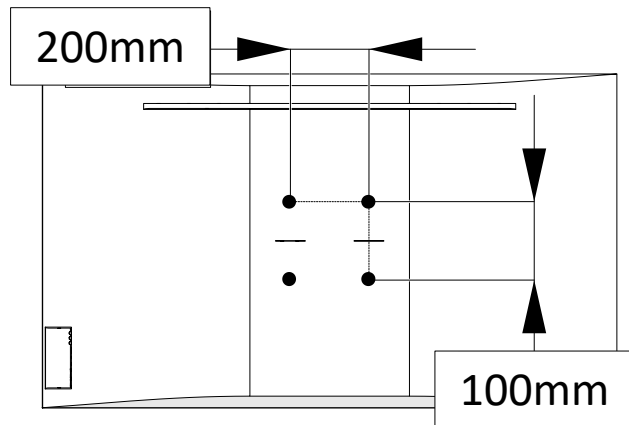
## Monitor Display Size & VESA Pattern

### Maximum Display Dimensions:

Depth Dimension:  
Regular Defender: 4.25"  
Large Defender: 7.75"



### Maximum VESA Pattern: Width x Height (mm)



## Weight

### Enclosure Weight

PC Defender Regular: 52 lbs. (23.5 kgs)  
PC Defender Large: 55 lbs. (25 kgs)

PC Defender Stainless Steel: 48 lbs. (22 kgs)  
PC Defender Large Stainless Steel: 52 lbs. (23.5 kgs)



**CAUTION!**

**The total weight of the TV Enclosure will be the enclosure weight plus the weight of the TV and any additional components.**

## Safety Caution

- Prior to installation of this product, the installation instructions should be read and completely understood to prevent personal injury and property damage. Keep these installation instructions in an easily accessible location for future reference.
- This enclosure contains small parts which can act as a choking hazard if swallowed.
- **CAUTION:** The wall structure must be capable of supporting at least five times the maximum enclosure weight as indicated. If not, the wall must be reinforced.
- Do not mount on drywall or plywood alone.
- Do not install on a structure that is prone to vibration, movement or chance of impact. Failure to do so could result in damage to the display and/or damage to the mounting surface.
- Do not install near heater, fireplace, air conditioning or any other heat producing source. Failure to do so may result in damage to the display and/or the hard cover and could increase the risk of fire.
- Make sure no water or natural gas lines are present where the enclosure is to be installed. Cutting or drilling into water or natural gas lines could cause personal injury or property damage.
- Proper installation procedure by yourself or a qualified service technician, as outlined in the installation instructions, must be adhered to. Failure to do so could result in serious personal injury.
- When mounting to a wall that contains wood studs, confirm the dead center of the wood stud prior to installation, it is recommended that the wood studs be a minimum of 16" apart.
- It is recommended that two people (or more) perform the installation. Injury and/or damage can result from dropping or mishandling the display or enclosure.
- If you don't understand these installation instructions, please consult an installation specialist.

## Enclosure Wash Down – Water Protection

- This enclosure is rated NEMA 4 (if powder coated steel), or NEMA 4X (if stainless steel).
- NEMA 4 specifically signifies: A gasketed door enclosure intended for indoor or outdoor use primarily to provide a degree of protection against windblown dust and rain, splashing water, and hose directed water.
- This enclosure uses a bottom fan location for internal heat management (cooling). This fan location prevents water ingress from a hose spray at a ninety-degree angle to the enclosure. If there are any concerns about water and direct spray wash down, please contact our team for further options.

## Polycarbonate Window Cleaning

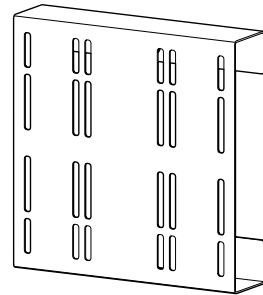
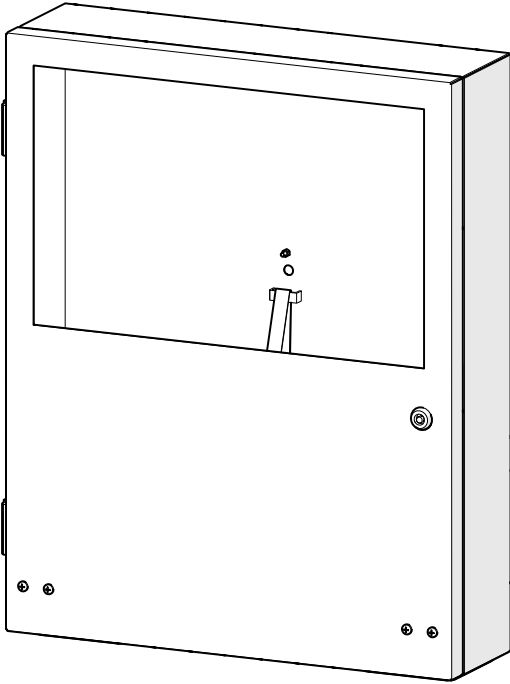
- **WARNING:** If the LCD screen or enclosure polycarbonate windows are cleaned incorrectly, the surface may scratch.
- Before cleaning the LCD screen or the Enclosure polycarbonate window, remove fine dust from the surface with compressed air. Do not rub the screen surface with a cloth when dust is present.
- Once the screen or window is free of dust, use a dry, soft, lint-free micro-fiber cleaning cloth made specifically for cleaning LCD screens. A solution of mild soap and water may be used as needed. Never use a paper towel or standard wash cloth.
- **CAUTION:** While the protective film is on the polycarbonate window do not store the units in sunlight. Storing in shade will help prevent melting of the protective film to the polycarbonate window.

## Direct Sunlight Warning

- **WARNING:** This enclosure is not designed to be mounted in direct sunlight unless you purchased an air conditioning unit or air curtain.
- Placing this enclosure in direct sunlight will cause overheating of the enclosure interior. This will warp the enclosure window and potentially damage the TV display and/or any other internal components.

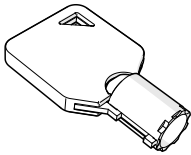
# Supplied Parts

## TV Enclosure

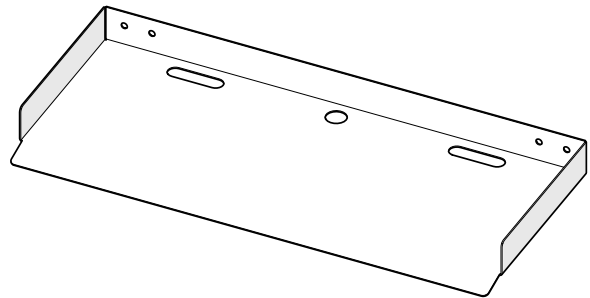


**TV Bracket  
(1 PC)**

**Defender  
Enclosure (1 PC)**



**Key (2 PC)**



**Keyboard Tray  
(1 PC)**

# Supplied TV Mounting Bracket Hardware

## TV Mounting Bracket Hardware



M4x12mm  
**V1** (4 PC)



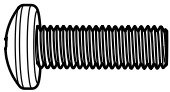
M4x30mm  
**V2** (4 PC)



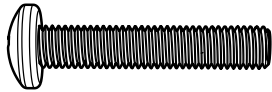
M6x12mm  
**V3** (4 PC)



M6x30mm  
**V4** (4 PC)



M8x25mm  
**V5** (4 PC)



M8x45mm  
**V6** (4 PC)



D4 Washer  
**V7** (4 PC)



D6 Washer  
**V8** (4 PC)



5mm Spacer  
**V9** (4 PC)



10mm Spacer  
**V10** (4 PC)



**CAUTION!**

**CHOKING HAZARD**

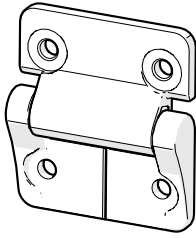
### A note about the TV mounting bracket spacers:

You may want to locate the TV screen as close to the enclosure window as possible. For Anti-Glare windows, the TV screen must be mounted as close as possible to the window for clear viewing.

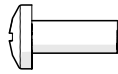
Different spacers and screws may be required to mount the TV screen closer to the window. These can be purchased at a local hardware store or online.

# Optional Parts & Hardware

## Defender Hinged Keyboard Tray



Hinge (2 PC)



M4x10 Screw  
**A1** (4 PC)



M4x10 Nut  
**A2** (4 PC)



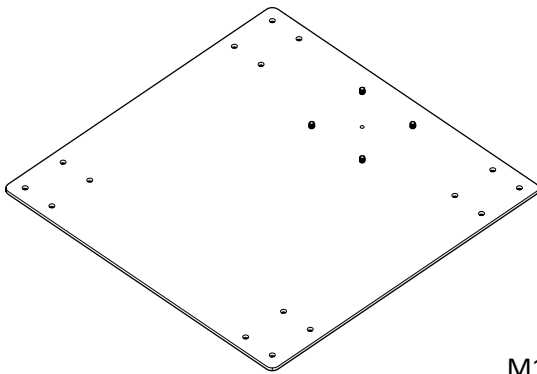
6mm Spacer  
**A3** (4 PC)



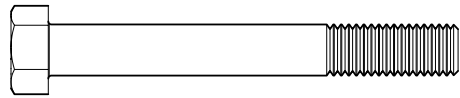
CAUTION!

**CHOKING  
HAZARD**

## Defender Pedestal



Base (1 PC)



M12 x 90 Screw  
**B1** (2 PC)



M12 Washer  
**B2** (4 PC)



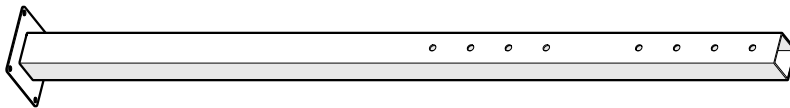
M12 Nut  
**B3** (2 PC)



D8 Washer  
**B4** (4 PC)



M8 Nut  
**B5** (4 PC)



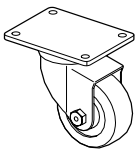
Upright Post (1 PC)



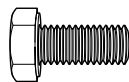
CAUTION!

**CHOKING  
HAZARD**

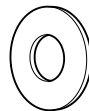
## Defender Pedestal Casters



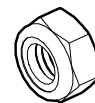
Caster (4 PC)



M8 x 20 Screw  
**C1** (16 PC)



M8 Washer  
**C2** (16 PC)



M8 Nut  
**C3** (16 PC)



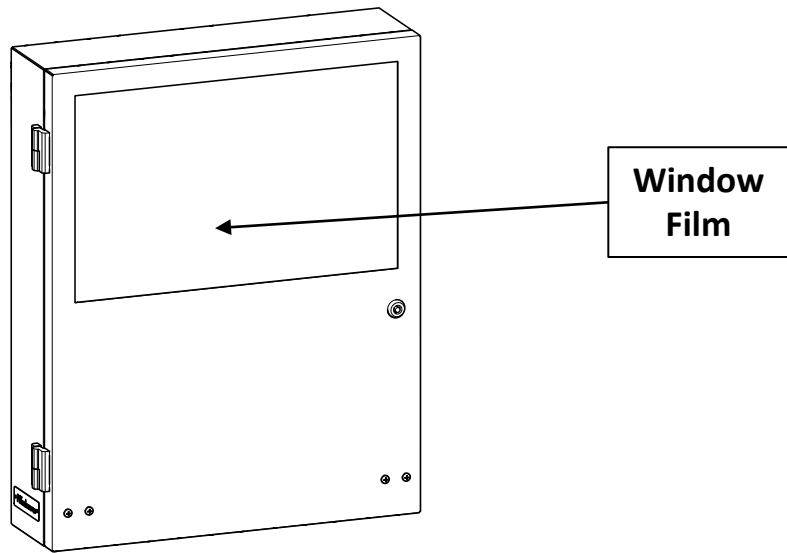
CAUTION!

**CHOKING  
HAZARD**



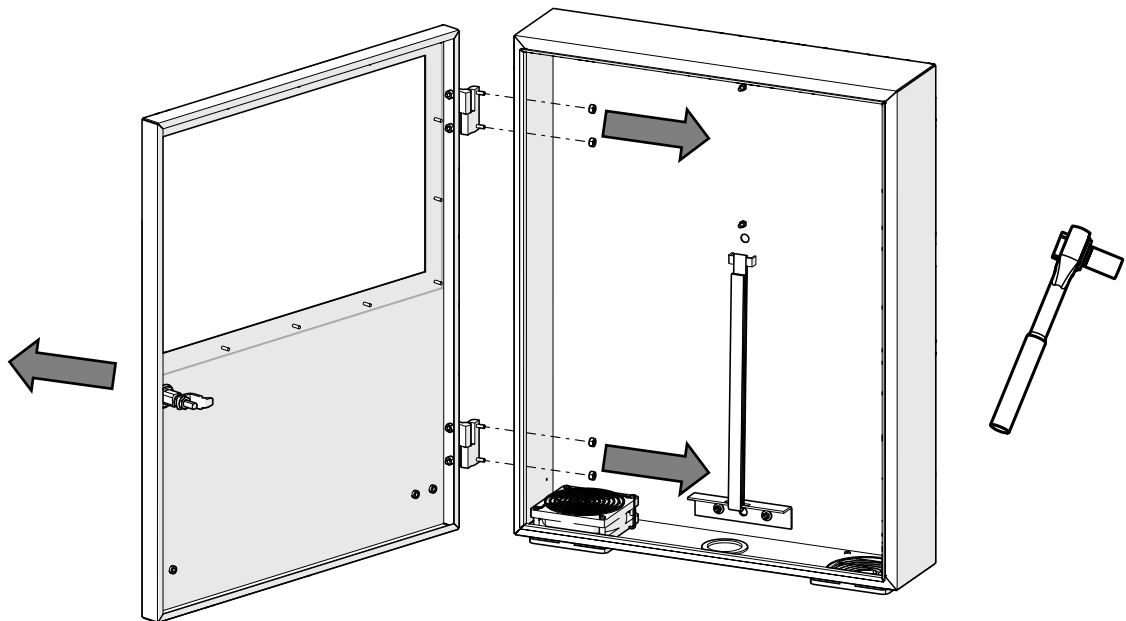
## Step 1 – Prepare the TV Enclosure

### 1-1 Protect the Window from Scratches



- To protect the window from scratches, leave the protective film on until instructed to remove it.

### 1-2 Optional - Remove the TV Enclosure Door



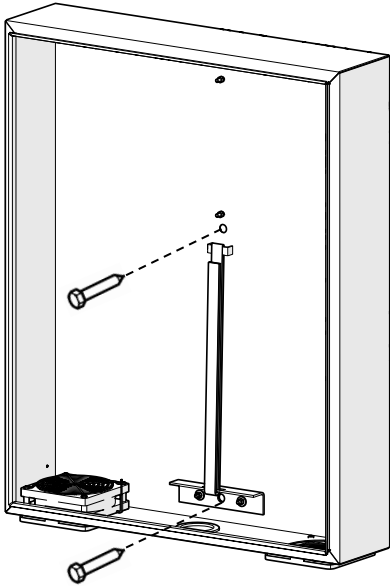
- Optional - Remove the hinge nuts and remove the door to make installation easier.
- Keep the nuts and place the door in a safe location.

## Step 2 – Mount the Enclosure

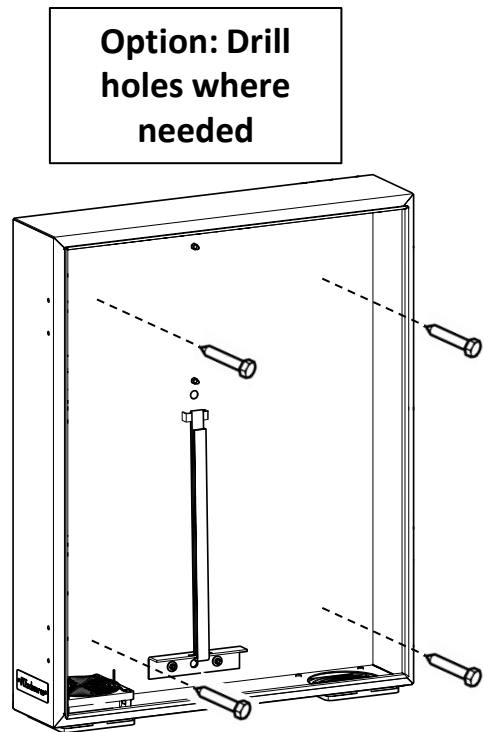
- For Defender Enclosure wall installation, follow STEP 2A
- For Defender Enclosure Pedestal Installation, follow STEP 2B

### Step 2A – Wall Installation

#### 2A-1 Mount the Enclosure



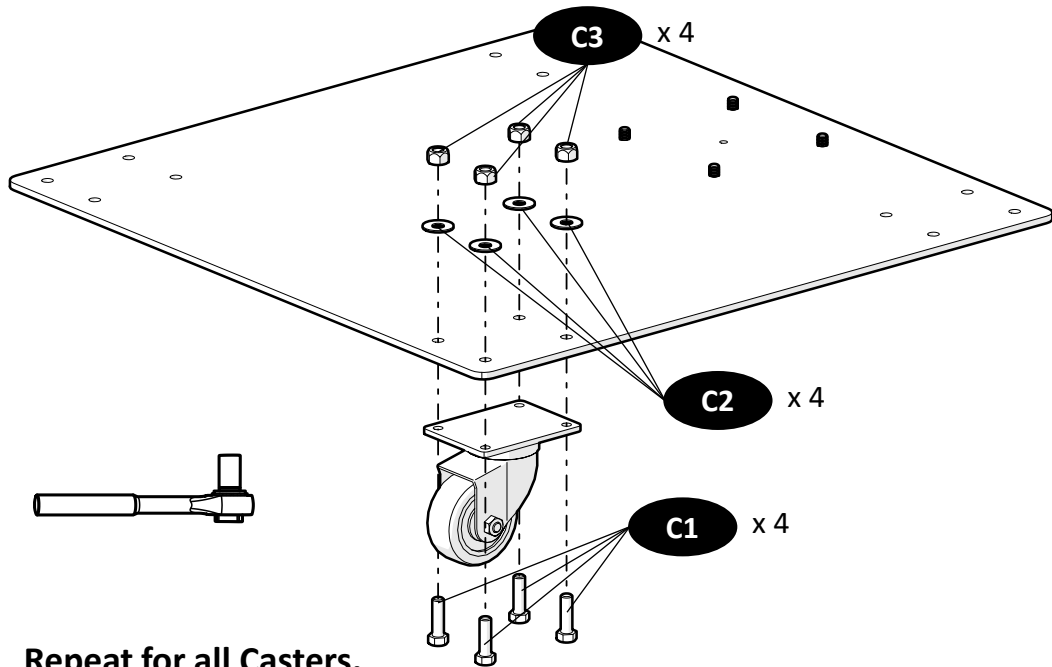
Option: Use the provided mounting holes



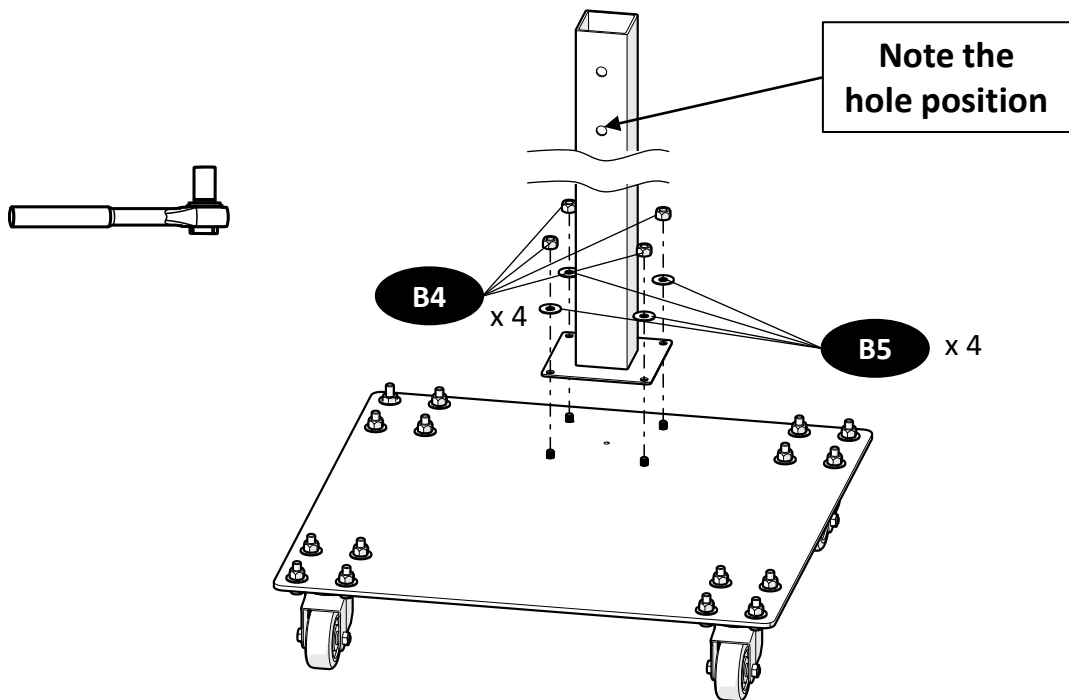
- Mount the Enclosure as needed. Ensure the structure can support at least five times the maximum load capacity as indicated. All mounting hardware (not included) must be 3/8" (10 mm) diameter or larger to secure the enclosure. (2 or more required)
- Use the 2 provided mounting holes and/or drill holes in the Enclosure where required. Ensure the hardware does not interfere with the TV Bracket installation.
- Use a bubble level to level the Enclosure.

## Step 2B – Defender Pedestal Installation

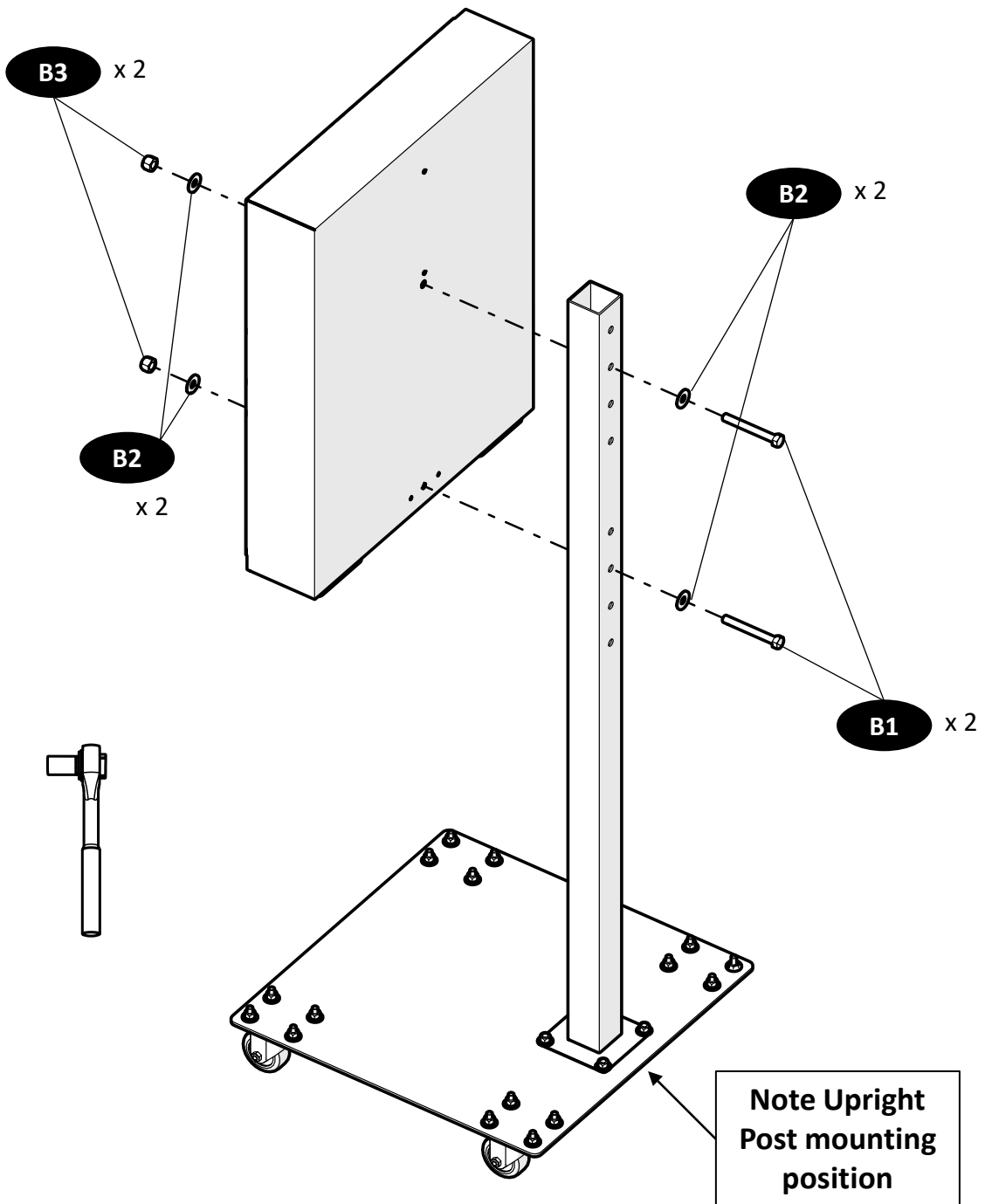
2B-1 Install the Casters to the Pedestal Base  
(Skip to Step 2B-2 is you are not using the optional Casters)



2B-2 Install the Upright Posts to the Pedestal Base



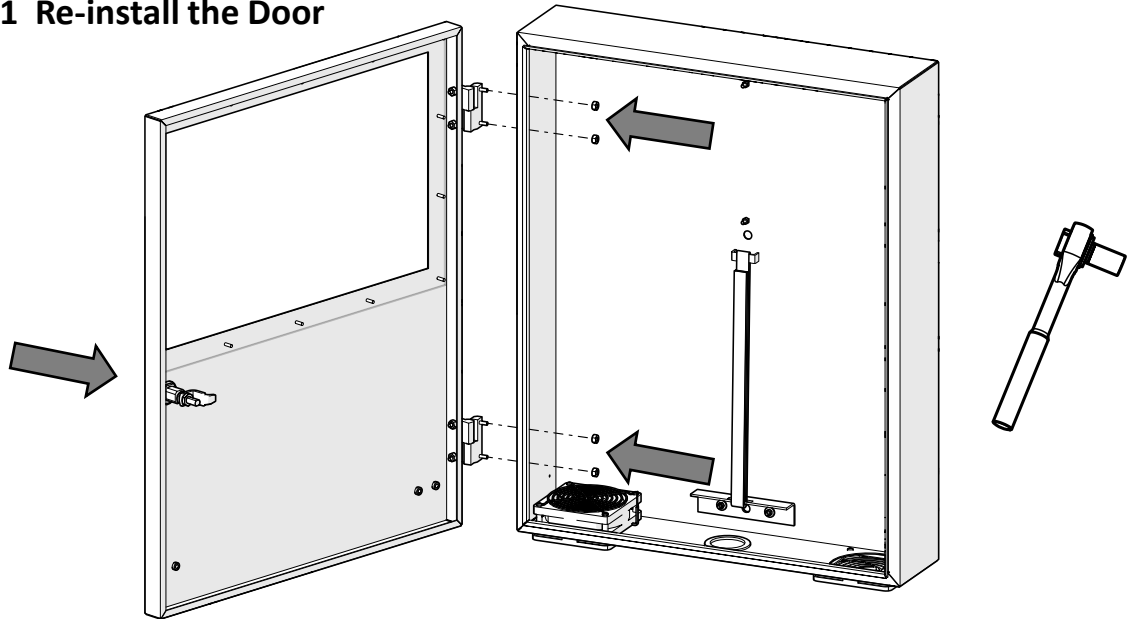
## 2B-3 Mount the Enclosure



- Choose the assembly holes in the Upright Post that fits your desired installation position.

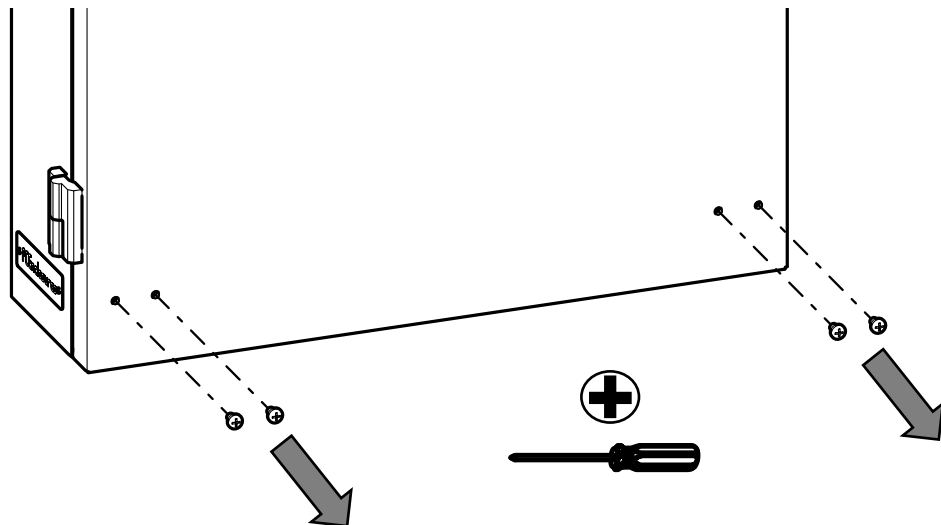
## Step 3 – Complete the Defender Enclosure Assembly

### 3-1 Re-install the Door



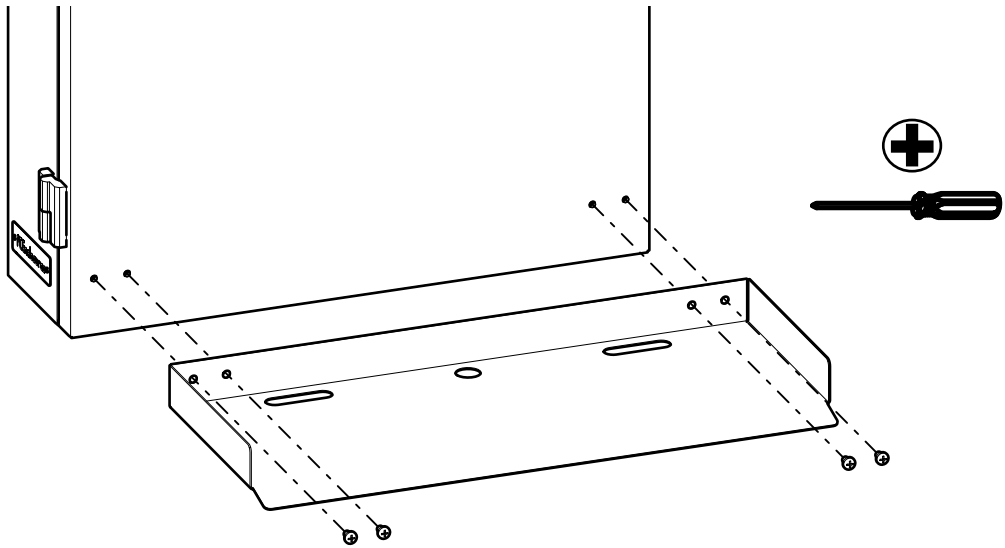
- If you removed the door previously, reinstall the Door and original nuts now.
- Do not over tighten.

### 3-2 Install the Keyboard Tray



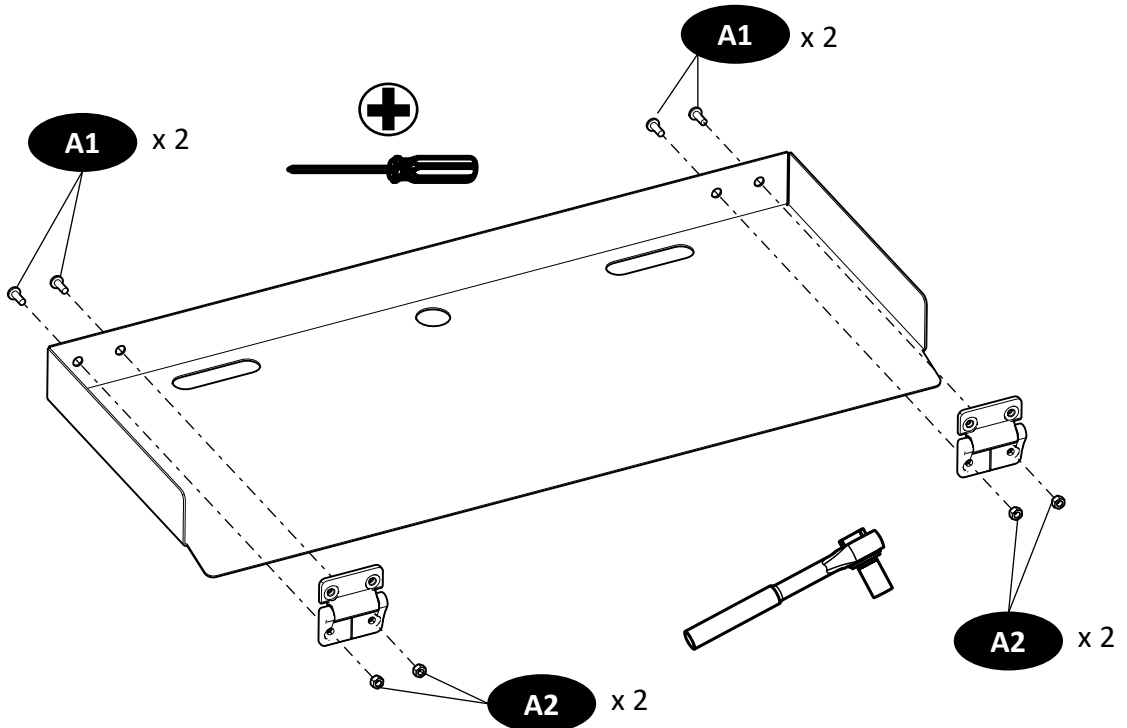
- Remove the Keyboard Tray screws from the door.
- Keep them to re-use.

### 3-3 Install the Keyboard Tray (Skip to step 3-4 if you are using a Hinged Keyboard Tray accessory)

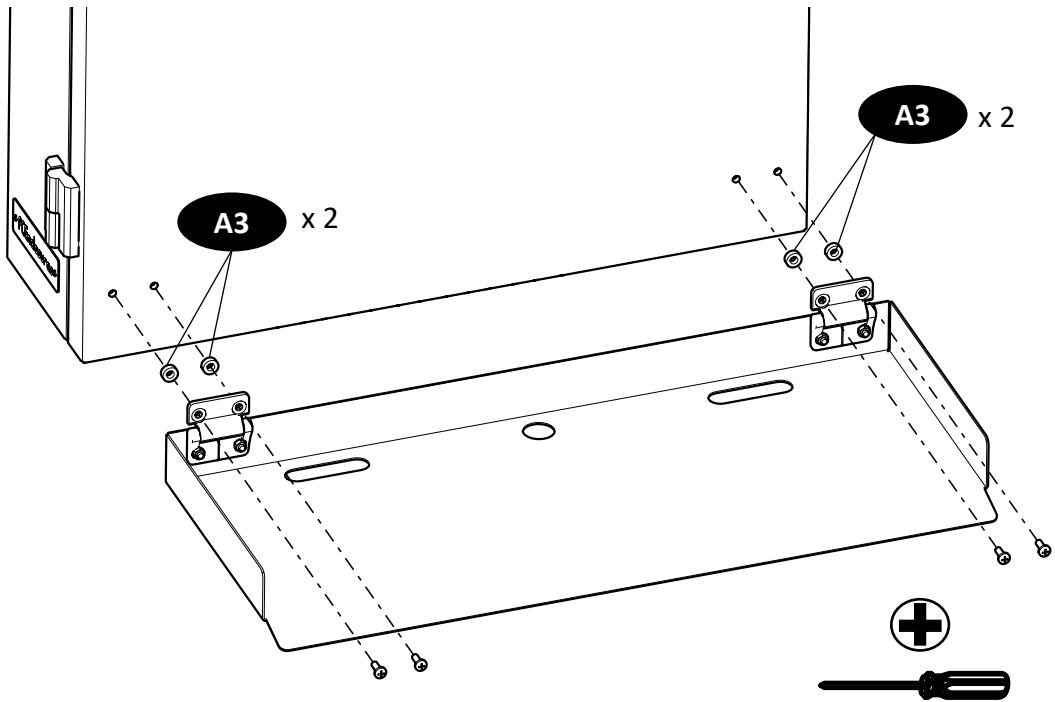


- Re-use the screws you removed in Step 3-2.
- Go to Step 4.

### 3-4 Mount the Hinges to the Keyboard Tray



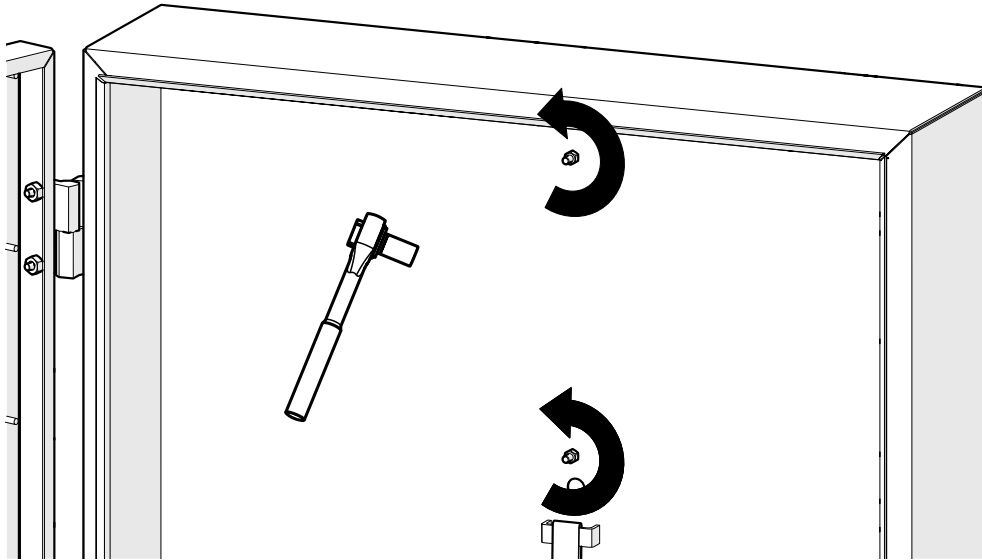
### 3-5 Install the Hinged Keyboard Tray



- Re-use the screws you removed in Step 3-2.

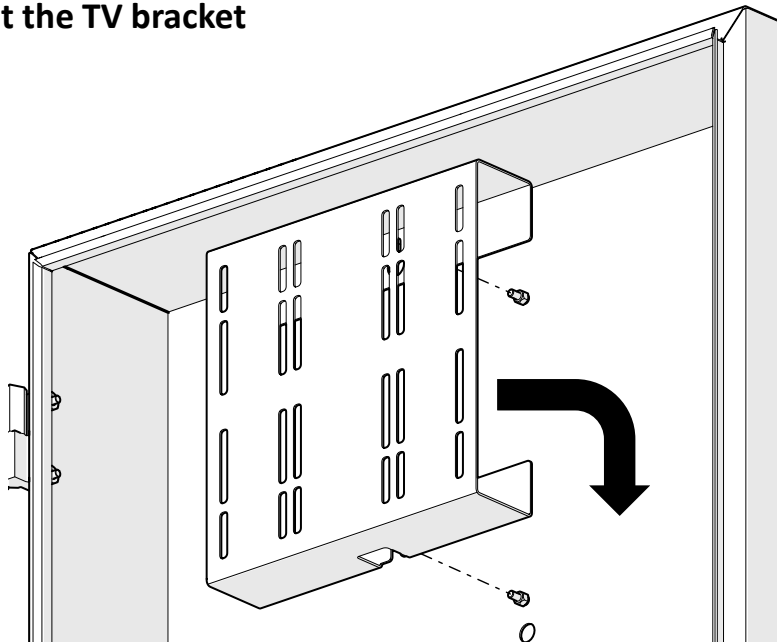
## Step 4 – Mount the TV in the TV Enclosure

### 4-1 Adjust the TV bracket mounting nuts



- Loosen the TV bracket mounting nuts so the TV bracket can slide behind the nuts.

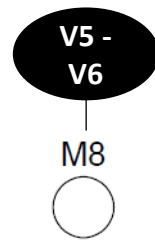
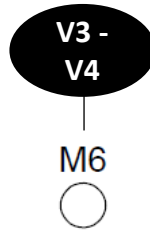
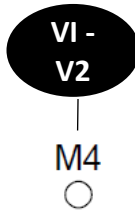
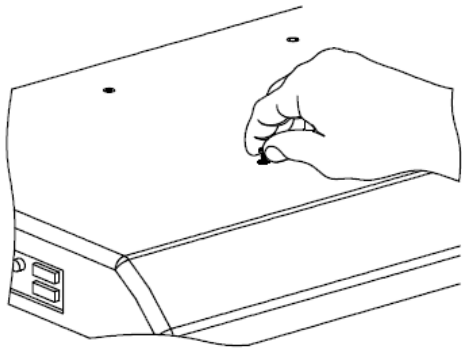
### 4-2 Test fit the TV bracket



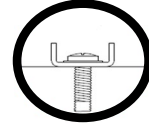
- Adjust the nuts until the TV bracket easily slides in and out without being loose.
- Remove the TV bracket from the enclosure to continue assembly.



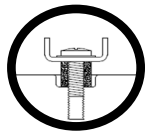
### 4-3 Select TV Screws



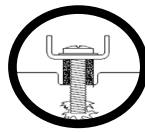
**No!**



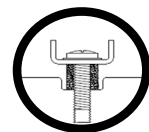
**Yes!**



**No!  
too short**

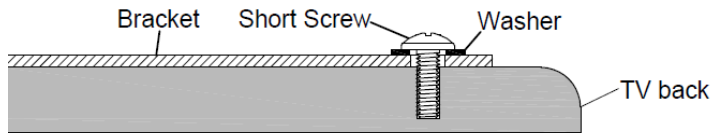


**No!  
too long**

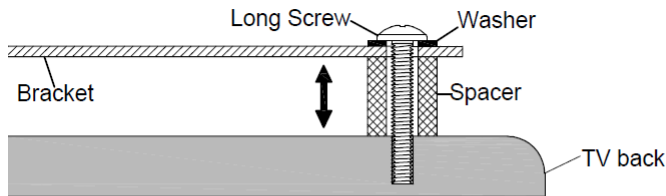


**Yes!  
(with spacer)**

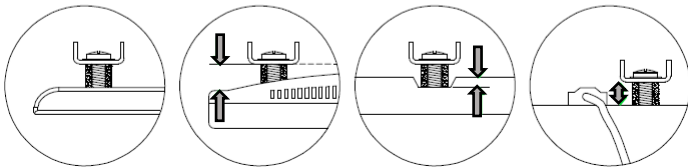
### 4-4 Determine if Spacers are Needed



**No Spacer Needed**

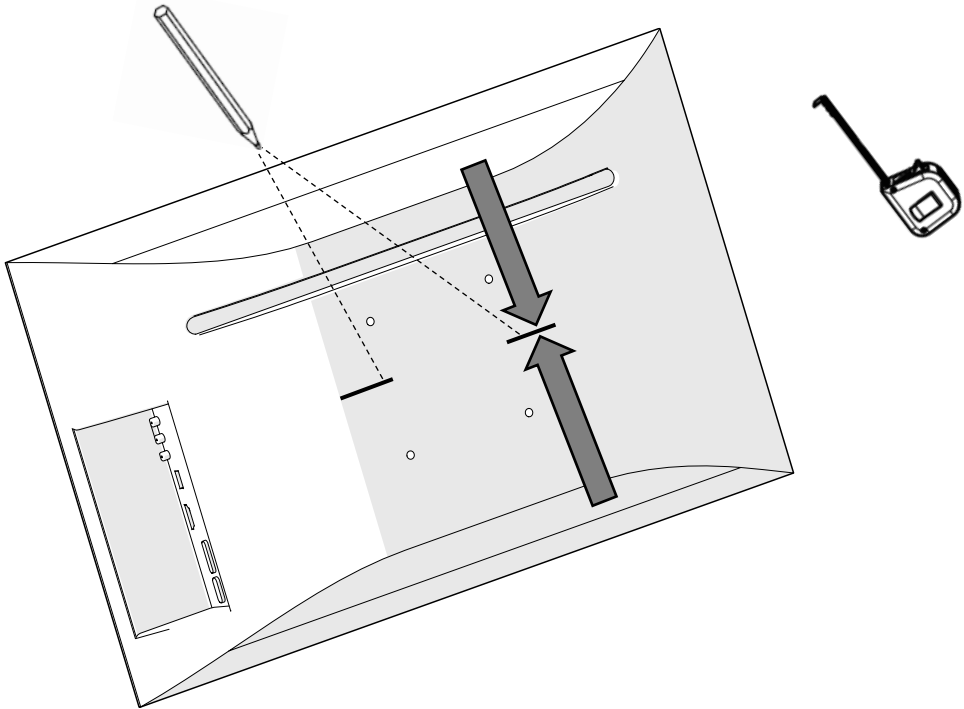


**Yes, Spacer Needed**

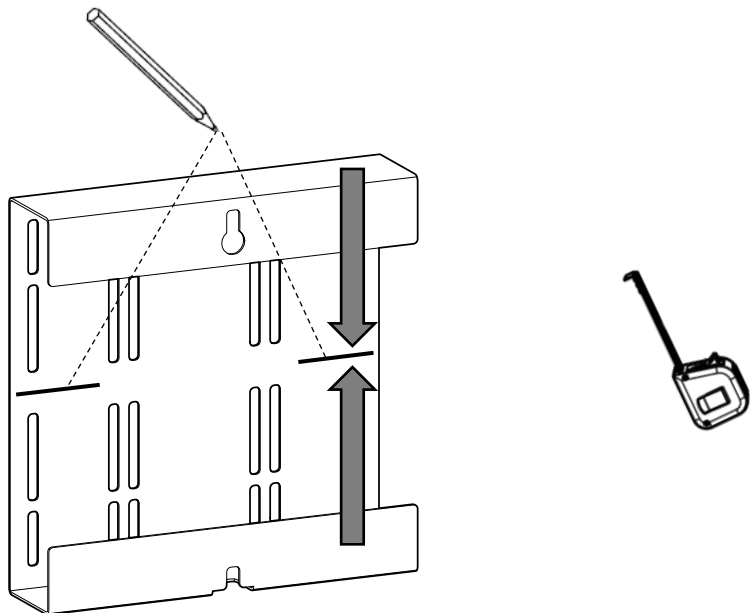


**See the note on page 7 about spacer length.**

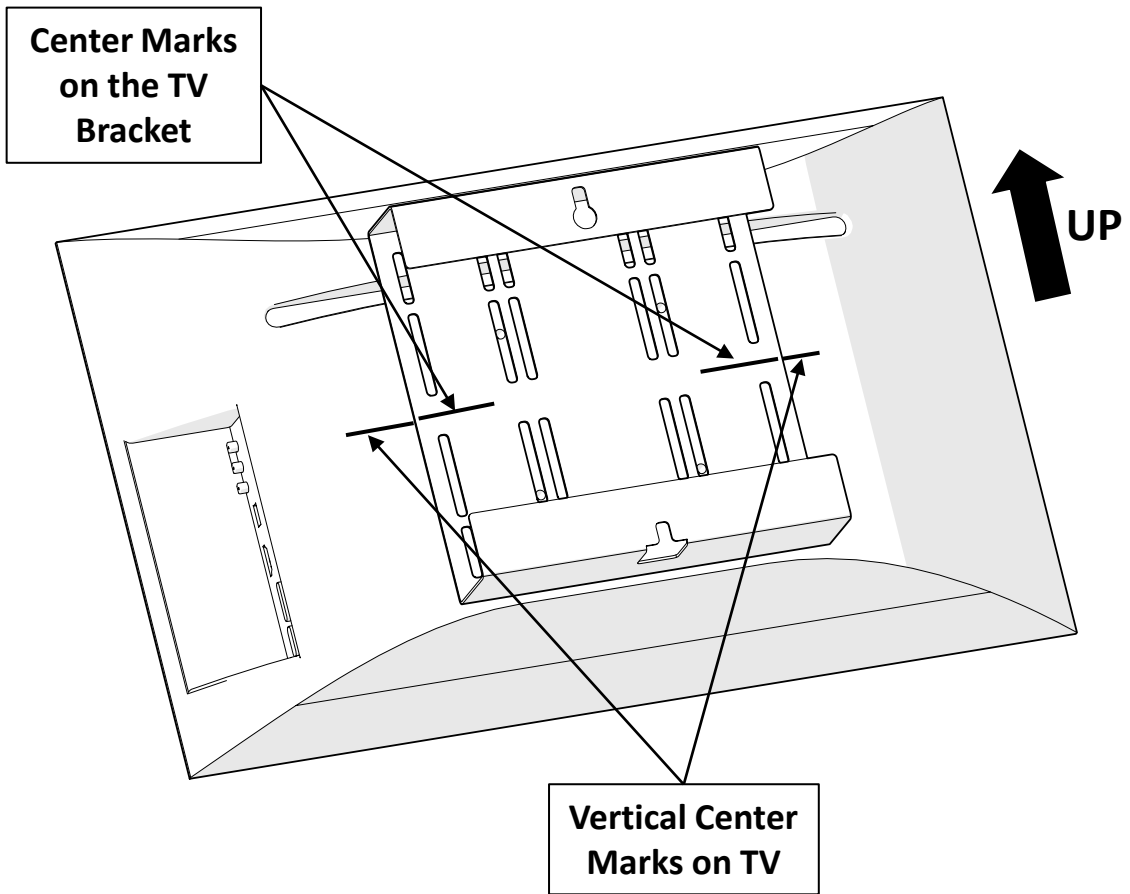
#### 4-5 Measure & Mark Vertical Center of TV



#### 4-6 Measure & Mark the center of the Vertical TV Mounting Brackets

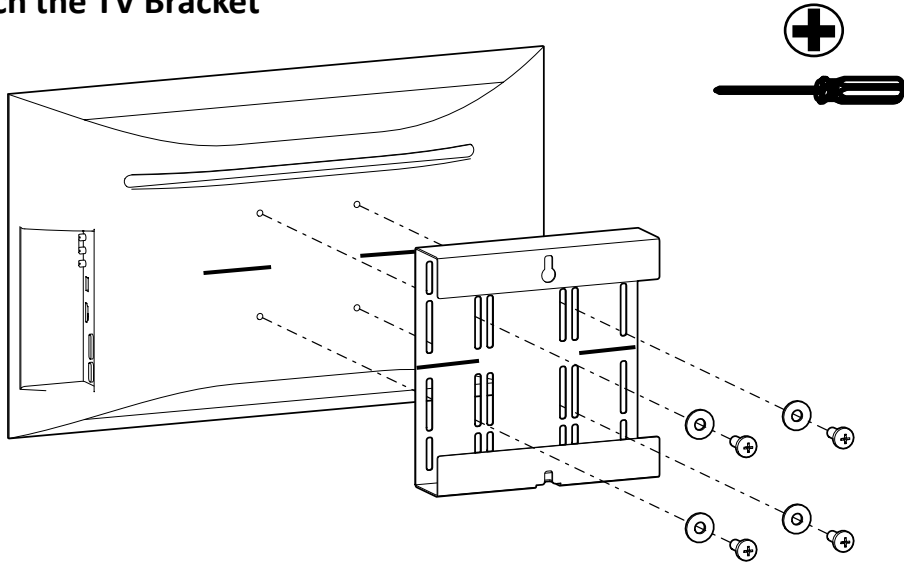


#### 4-7 Determine Placement of TV Vertical Mount Brackets

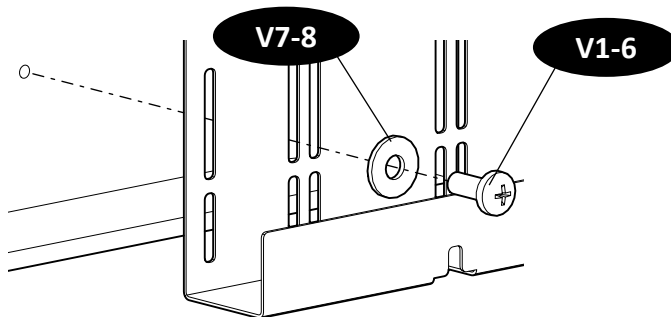


- Place the TV Bracket over the VESA holes in the back of the TV.
- Align the center marks on the bracket with the center marks on the TV.
- Adjust the bracket up or down slightly if the VESA holes do not align with the slots in the bracket.

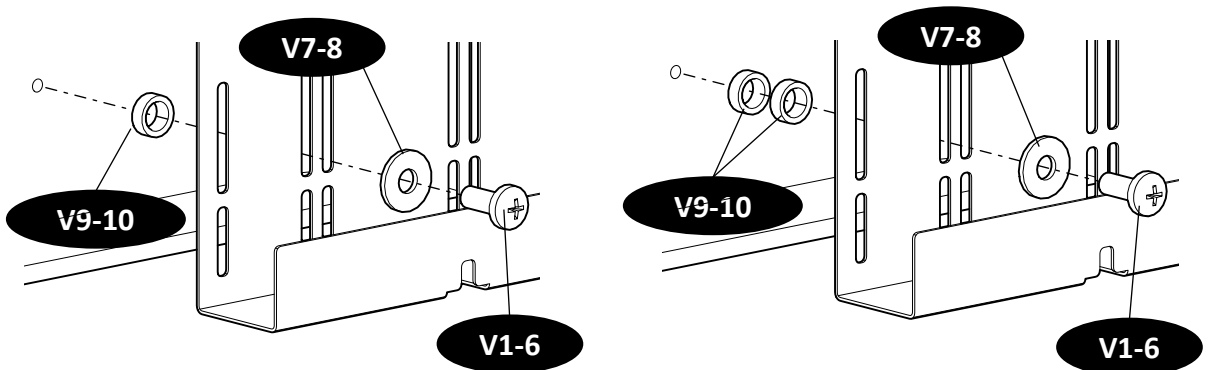
## 4-8 Attach the TV Bracket



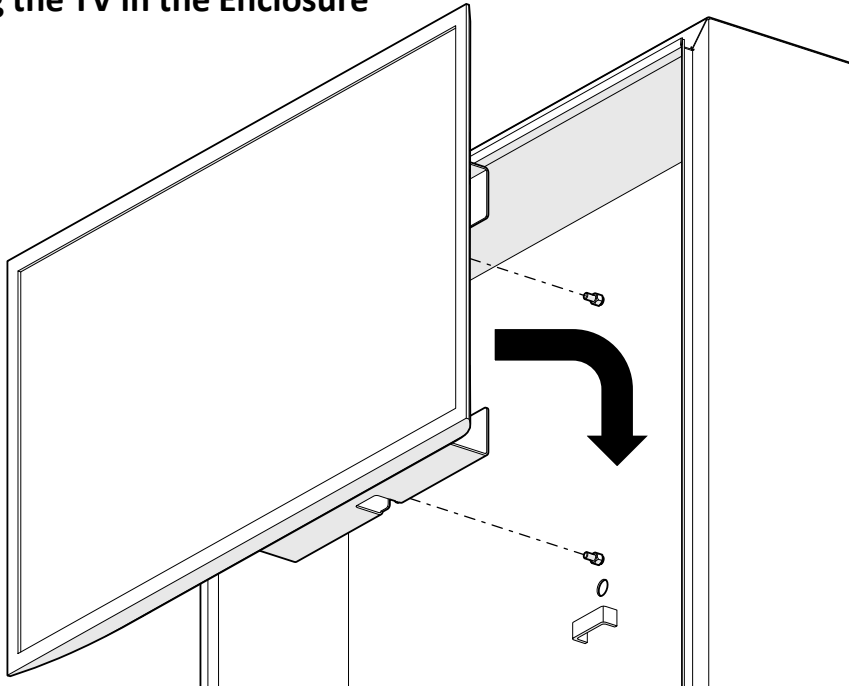
### 4-9a Attachment without Spacers



### 4-9b Attachment with Spacers

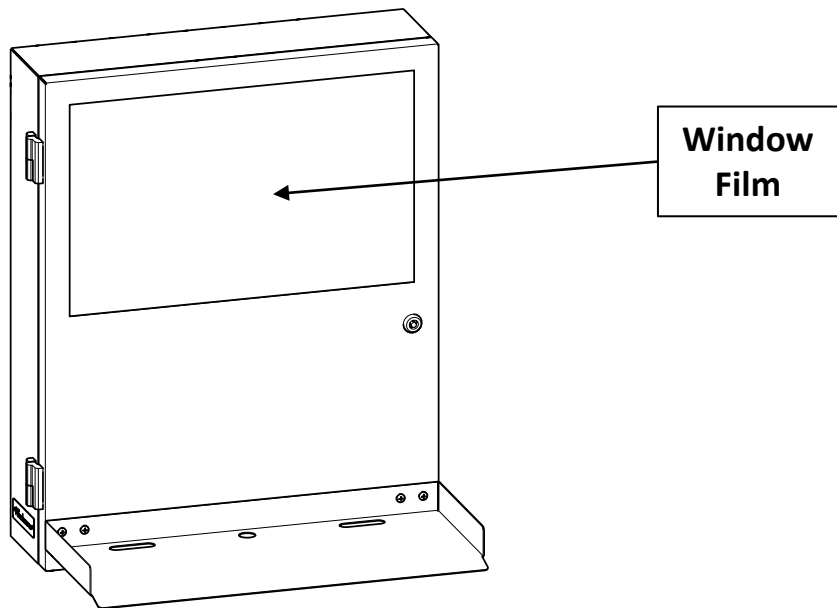


#### 4-10 Hang the TV in the Enclosure



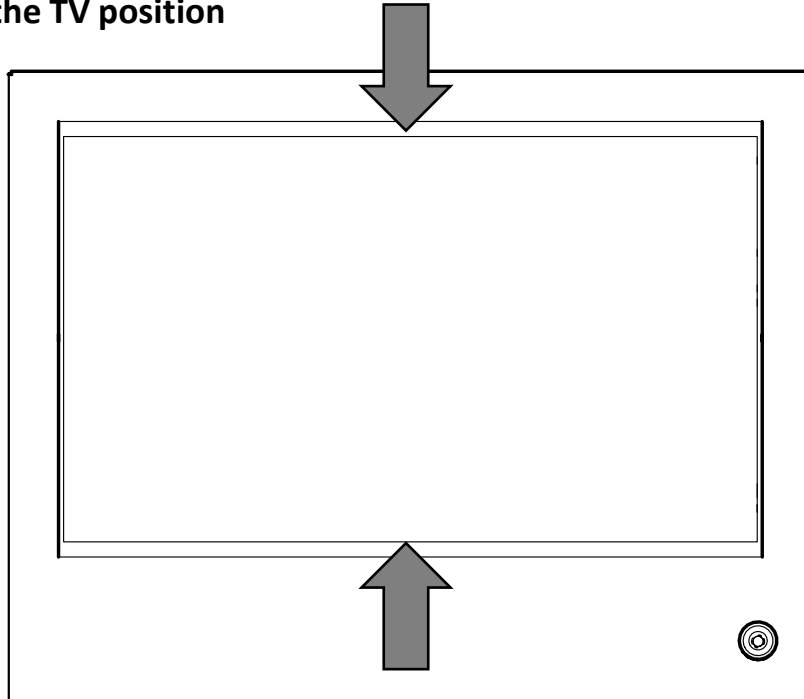
- **Ensure the wires do not become pinched.**

#### 4-11 Remove the Protective Film



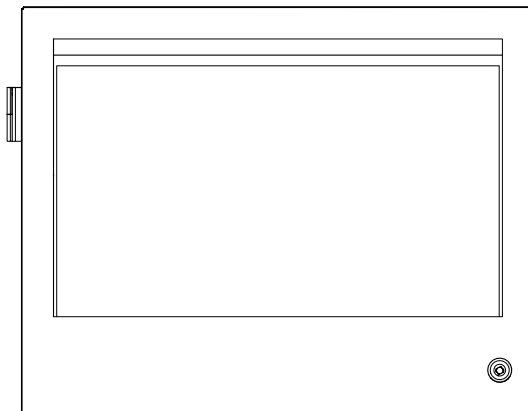
- **Carefully close the door checking for any interference.**
- **Remove the protective film from the door window.**

#### 4-12 Check the TV position

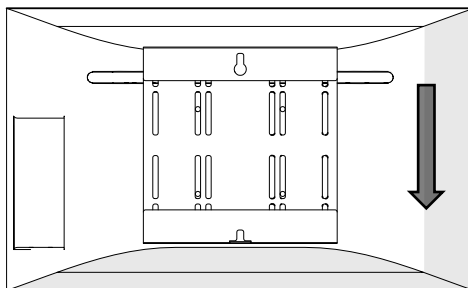


- Check the TV position in the window.

#### 4-13 Adjust TV Bracket Position if Necessary

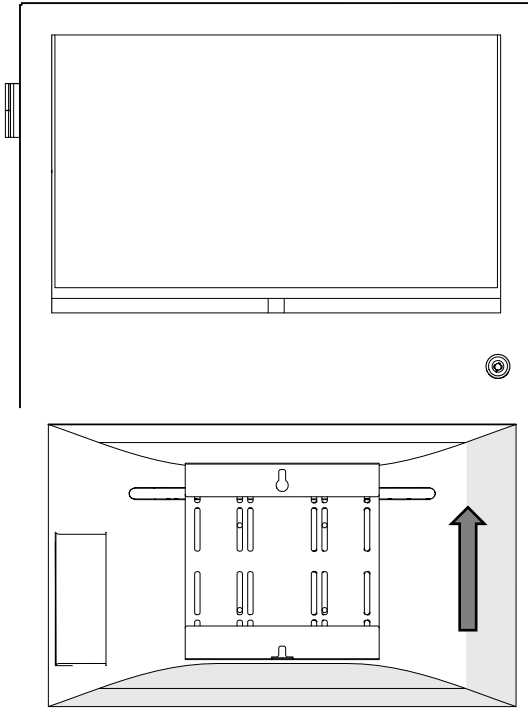


- If TV sits low in the TV enclosure;



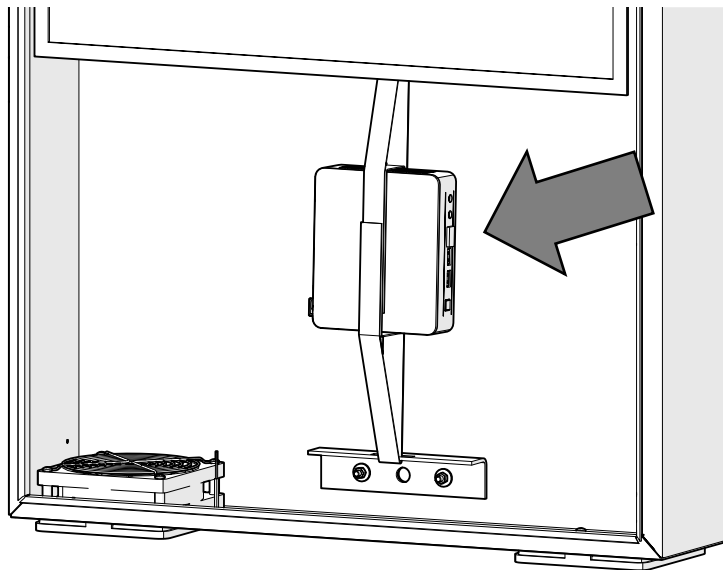
- Adjust TV Bracket down and re-hang.

#### 4-14 Adjust TV Bracket Position if Necessary



- If TV sits high in the TV enclosure;
- Adjust TV Bracket up and re-hang

#### 4-15 Mount Computer Hardware/Accessories



- Use the hook and loop strap to secure accessories or other computer hardware.
- Do not place electronic hardware on the bottom surface of the enclosure.

#### 4-16 Set the Cables – Cut Cable Grommet

