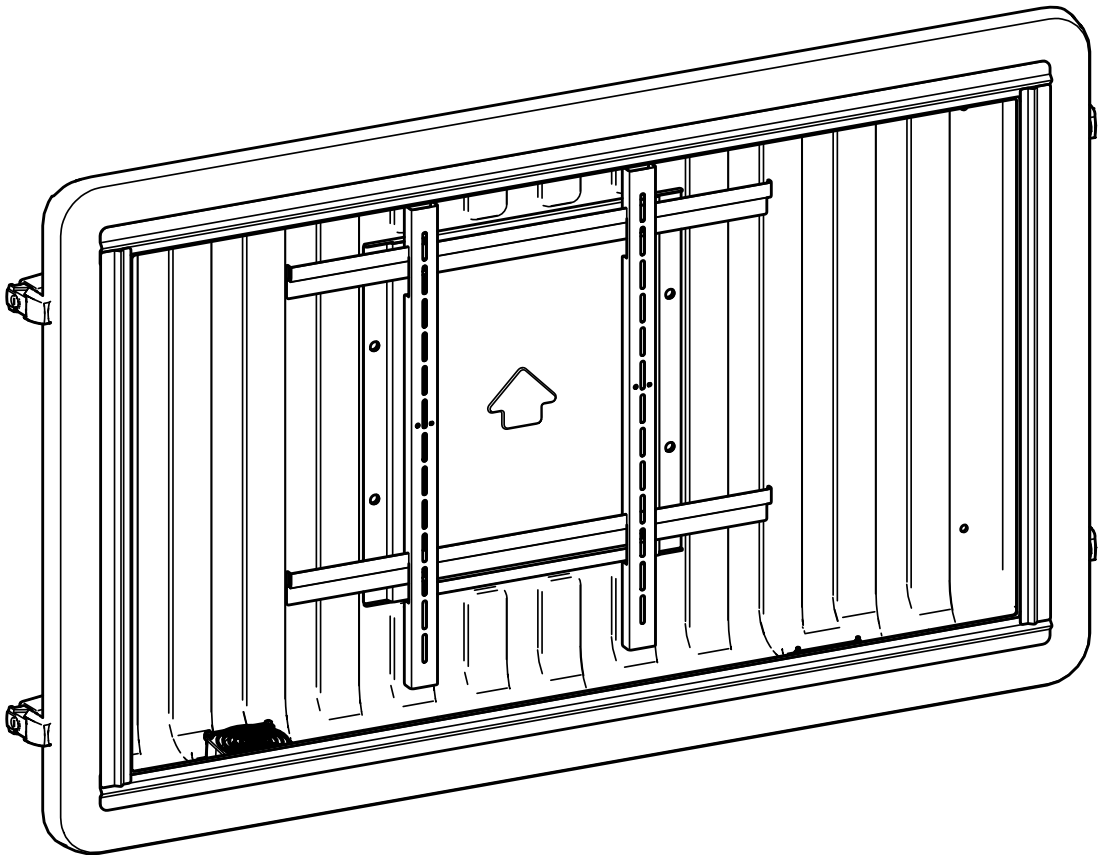




ASSEMBLY & INSTALLATION INSTRUCTIONS

55 Plastic Guardian TV Enclosure

v 1.0



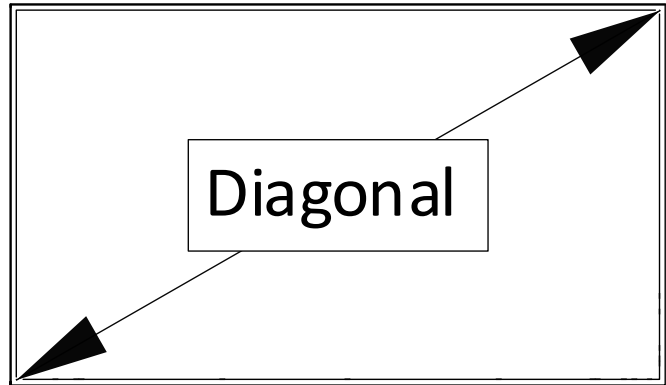
If you have any questions, please contact us at
info@pcenclosures.net, or call at (866) 646-4383
Mon – Fri 9am – 4pm (MT)

Before getting started, let's make sure this TV Enclosure will work for you!

TV Size

Maximum TV dimensions:

Diagonal Screen Dimension:
55 Plastic LCD Guardian: 55"



Weight

Enclosure Weight (Varies by options)

55 Plastic LCD Guardian: 64 lbs. (29 kgs)



CAUTION!

The total weight of the TV Enclosure will be the enclosure weight plus the weight of the TV and any additional components.

Safety Caution

- Prior to installation of this product, the installation instructions should be read and completely understood to prevent personal injury and property damage. Keep these installation instructions in an easily accessible location for future reference.
- This enclosure contains small parts which can act as a choking hazard if swallowed.
- **CAUTION:** The wall structure must be capable of supporting at least five times the maximum enclosure weight as indicated. If not, the wall must be reinforced.
- Do not mount on drywall or plywood alone.
- Do not install on a structure that is prone to vibration, movement or chance of impact. Failure to do so could result in damage to the display and/or damage to the mounting surface.
- Do not install near heater, fireplace, air conditioning or any other heat producing source. Failure to do so may result in damage to the display and/or the hard cover and could increase the risk of fire.
- Make sure no water or natural gas lines are present where the enclosure is to be installed. Cutting or drilling into water or natural gas lines could cause personal injury or property damage.
- Proper installation procedure by yourself or a qualified service technician, as outlined in the installation instructions, must be adhered to. Failure to do so could result in serious personal injury.
- When mounting to a wall that contains wood studs, confirm the dead center of the wood stud prior to installation, it is recommended that the wood studs be a minimum of 16" apart.
- It is recommended that two people (or more) perform the installation. Injury and/or damage can result from dropping or mishandling the display or enclosure.
- If you don't understand these installation instructions, please consult an installation specialist.

Enclosure Wash Down – Water Protection

- This enclosure is rated NEMA 4 (if powder coated steel), or NEMA 4X (if stainless steel).
- NEMA 4 specifically signifies: A gasketed door enclosure intended for indoor or outdoor use primarily to provide a degree of protection against windblown dust and rain, splashing water, and hose directed water.
- This enclosure uses bottom louvered vents for internal heat management (cooling). The louvers are designed to substantially prevent water ingress from a hose spray at a ninety-degree angle to the louver.
- **CAUTION:** Do not store components (Apple TV, Xbox, etc.) in the bottom of the enclosure if subject to direct hose washdown. Small amounts of water may ingress the sides of the enclosure and pool at the bottom before draining through provided weep holes. The enclosure is designed to protect hanging items (TV, etc.).

Polycarbonate Window Cleaning

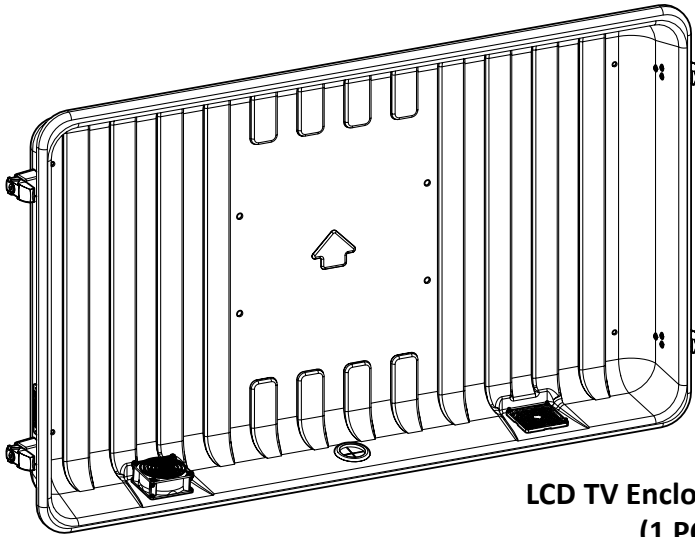
- **WARNING:** If the LCD screen or enclosure polycarbonate windows are cleaned incorrectly, the surface may scratch.
- Before cleaning the LCD screen or the Enclosure polycarbonate window, remove fine dust from the surface with compressed air. Do not rub the screen surface with a cloth when dust is present.
- Once the screen or window is free of dust, use a dry, soft, lint-free micro-fiber cleaning cloth made specifically for cleaning LCD screens. A solution of mild soap and water may be used as needed. Never use a paper towel or standard wash cloth.
- **CAUTION:** While the protective film is on the polycarbonate window do not store the units in sunlight. Storing in shade will help prevent melting of the protective film to the polycarbonate window.

Direct Sunlight Warning

- **WARNING:** This enclosure is not designed to be mounted in direct sunlight unless you purchased an air conditioning unit or air curtain.
- Placing this enclosure in direct sunlight will cause overheating of the enclosure interior. This will warp the enclosure window and potentially damage the TV display and/or any other internal components.

55 Plastic Guardian Supplied Parts

TV Enclosure

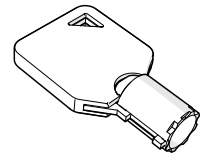


LCD TV Enclosure Body
(1 PC)

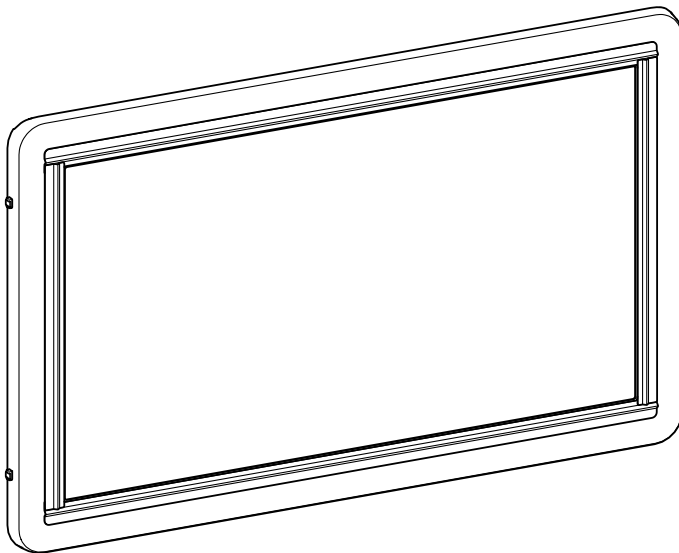


CAUTION!

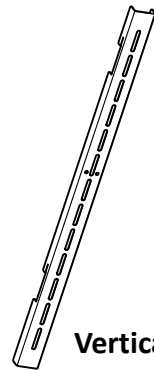
CHOKING HAZARD



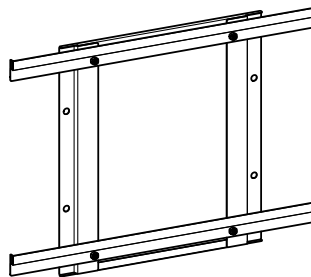
Key (2 PC)



LCD TV Enclosure Door
(1 PC)



Vertical TV
Mount Bracket
(2 PC)



TV Bracket Assembly
(1 PC)

Supplied TV Mounting Bracket Hardware

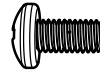
TV Mounting Bracket Hardware



M4x12mm
V1 (4 PC)



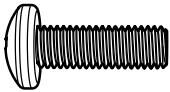
M4x30mm
V2 (4 PC)



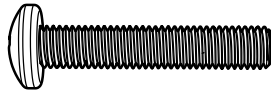
M6x12mm
V3 (4 PC)



M6x30mm
V4 (4 PC)



M8x25mm
V5 (4 PC)



M8x45mm
V6 (4 PC)



D4 Washer
V7 (4 PC)



D6 Washer
V8 (4 PC)



5mm Spacer
V9 (4 PC)



10mm Spacer
V10 (4 PC)



CAUTION!

CHOKING HAZARD

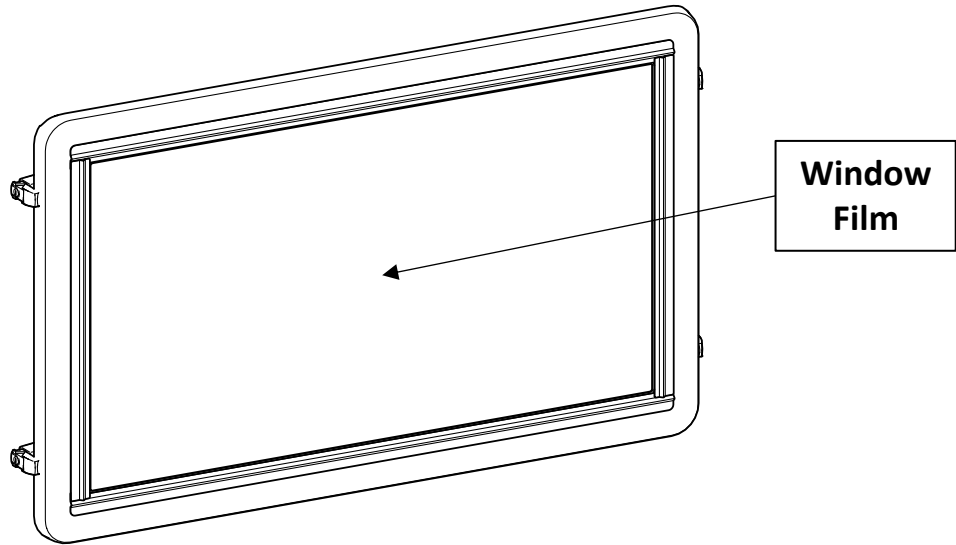
A note about the TV mounting bracket spacers:

You may want to locate the TV screen as close to the enclosure window as possible. For Anti-Glare windows, the TV screen must be mounted as close as possible to the window for clear viewing.

Different spacers and screws may be required to mount the TV screen closer to the window. These can be purchased at a local hardware store or online.

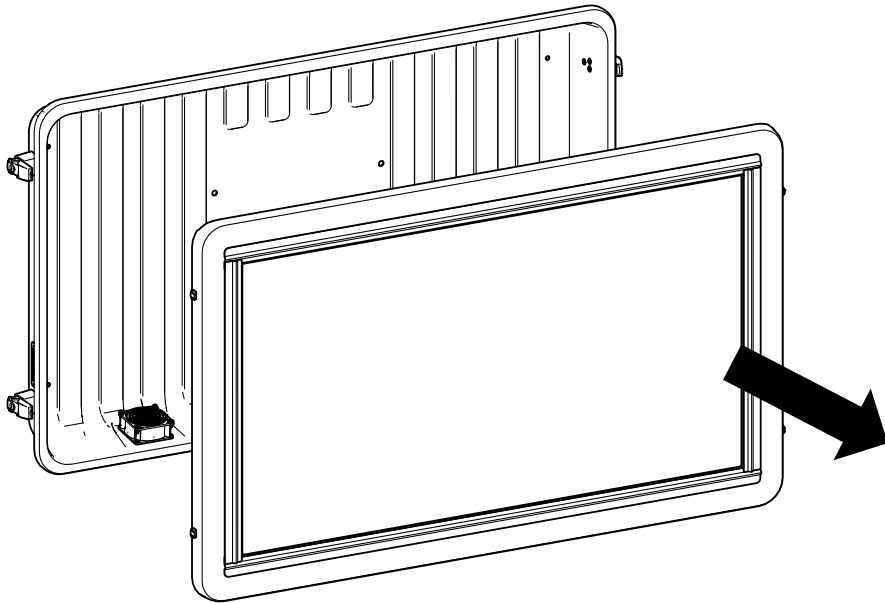
Step 1 – Prepare the TV Enclosure

1-1 Protect the Window from Scratches



- To protect the window from scratches, leave the protective film on until instructed to remove it.

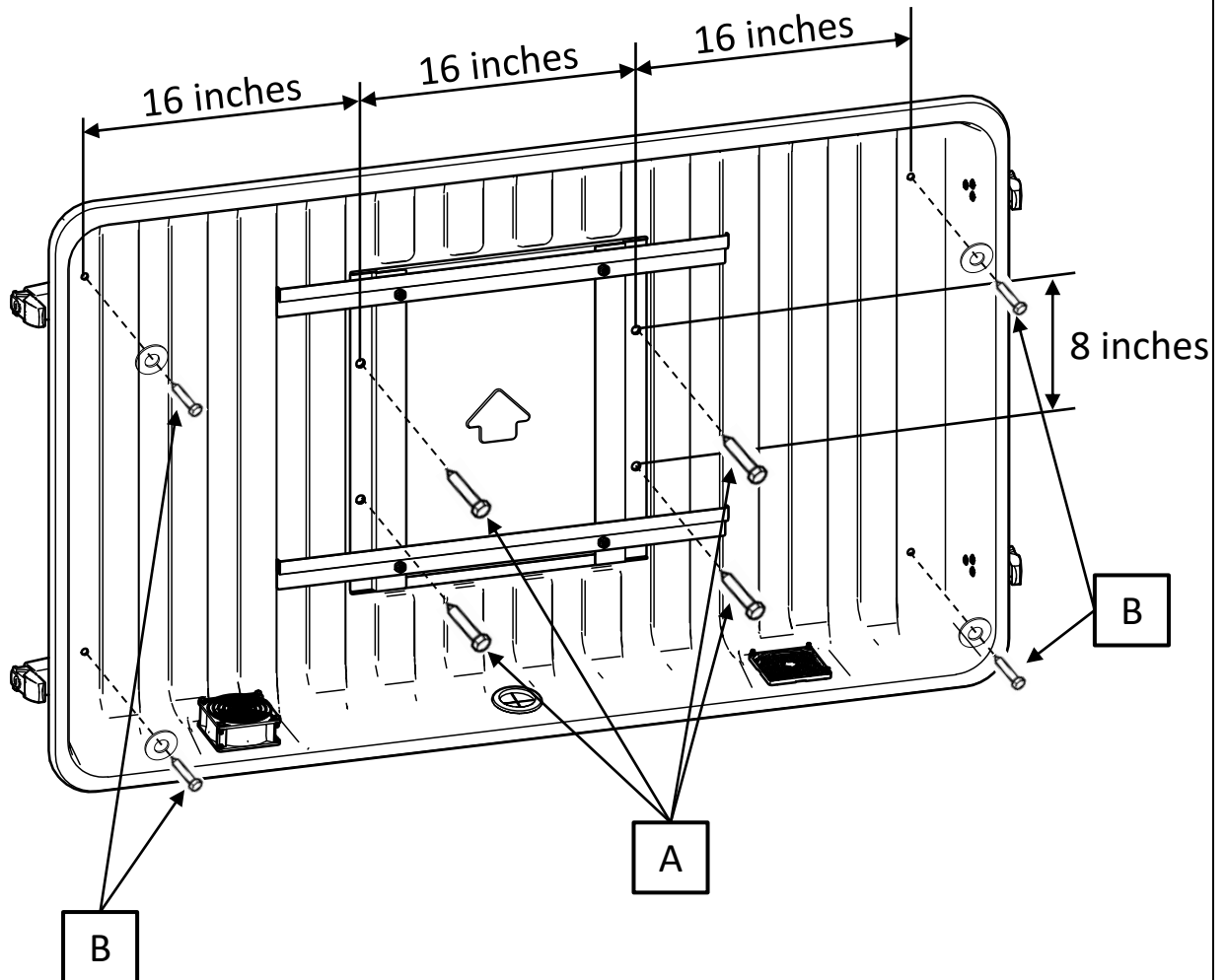
1-2 Remove the Door



- Release all 4 latches, remove the Door and place it in a safe location.

Step 2 – Mount the Enclosure

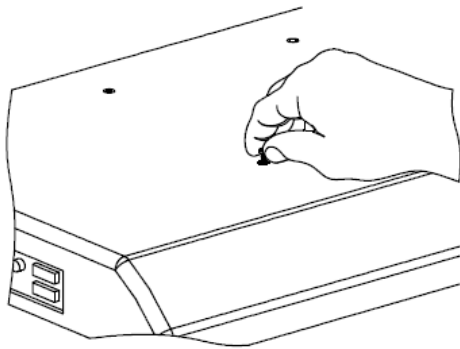
2-1 Mount the TV Enclosure to the wall



- **Mount the TV Enclosure as needed (note the arrow orientation in the center). Ensure the structure can support at least five times the maximum load capacity as indicated.**
 - **All "A" mounting hardware (not included) must be 3/8" (10mm) diameter or larger to secure the enclosure. (4 required)**
 - **All "B" mounting hardware (not included) must be 1/4" (6mm) diameter or larger to secure the enclosure. (4 required)**
- **Use a bubble level to level the TV Bracket and the TV Enclosure.**

Step 3 – Mount the TV in the TV Enclosure

3-1 Select TV Screws



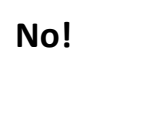
V1 - V2

M4



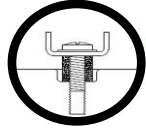
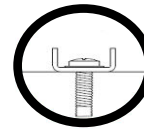
V3 - V4

M6

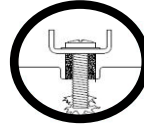


V5 - V6

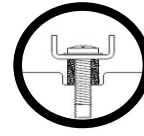
M8



**No!
too
short**

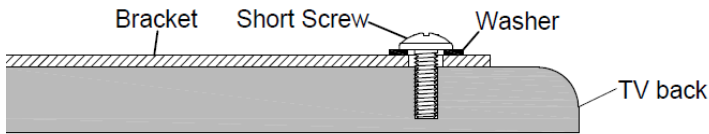


**No!
too
long**

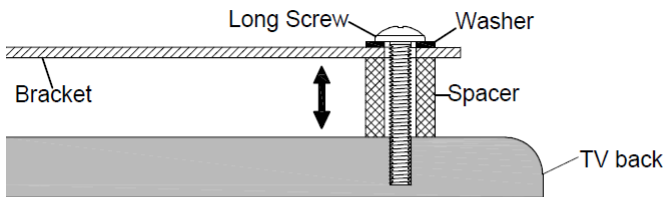


**Yes!
(with
spacer)**

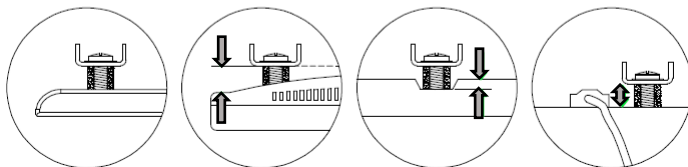
3-2 Determine if Spacers are Needed



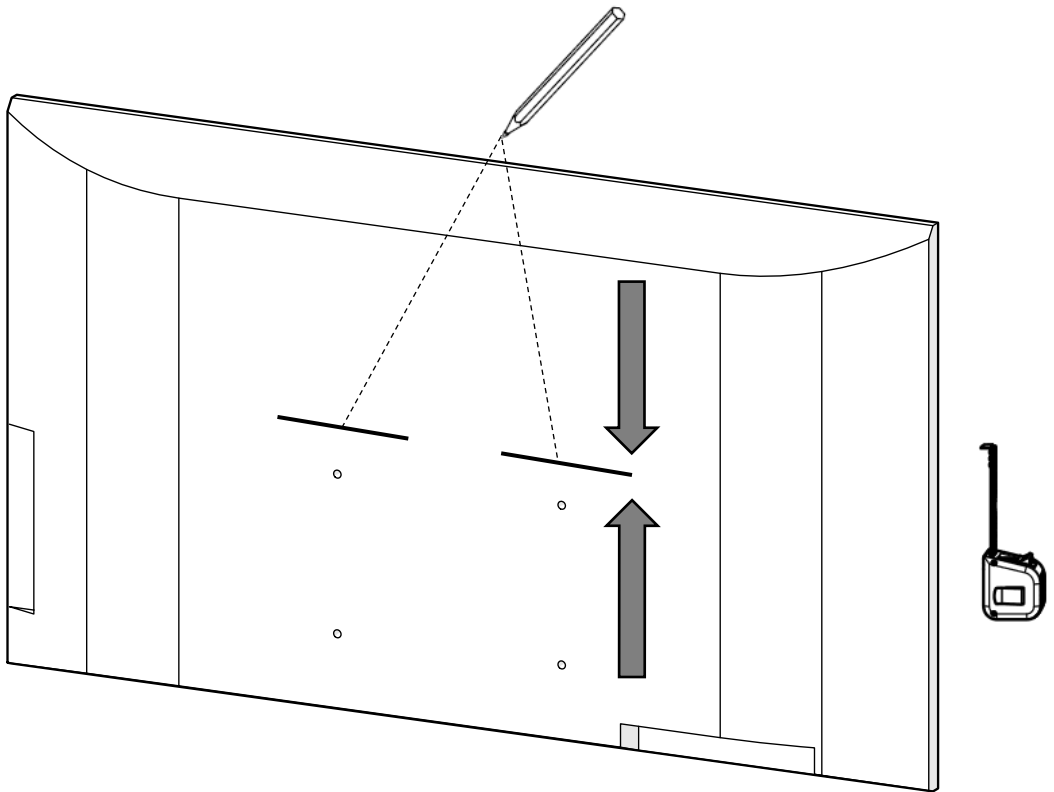
No Spacer Needed



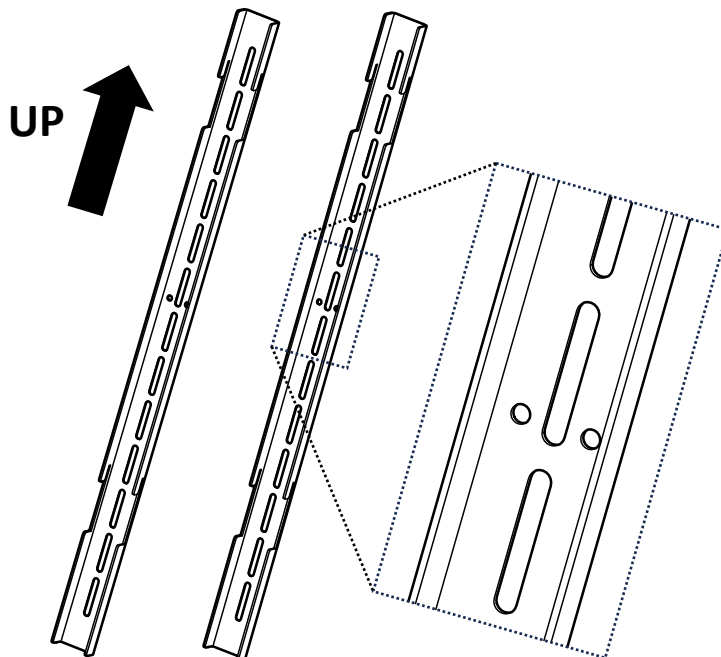
Yes, Spacer Needed



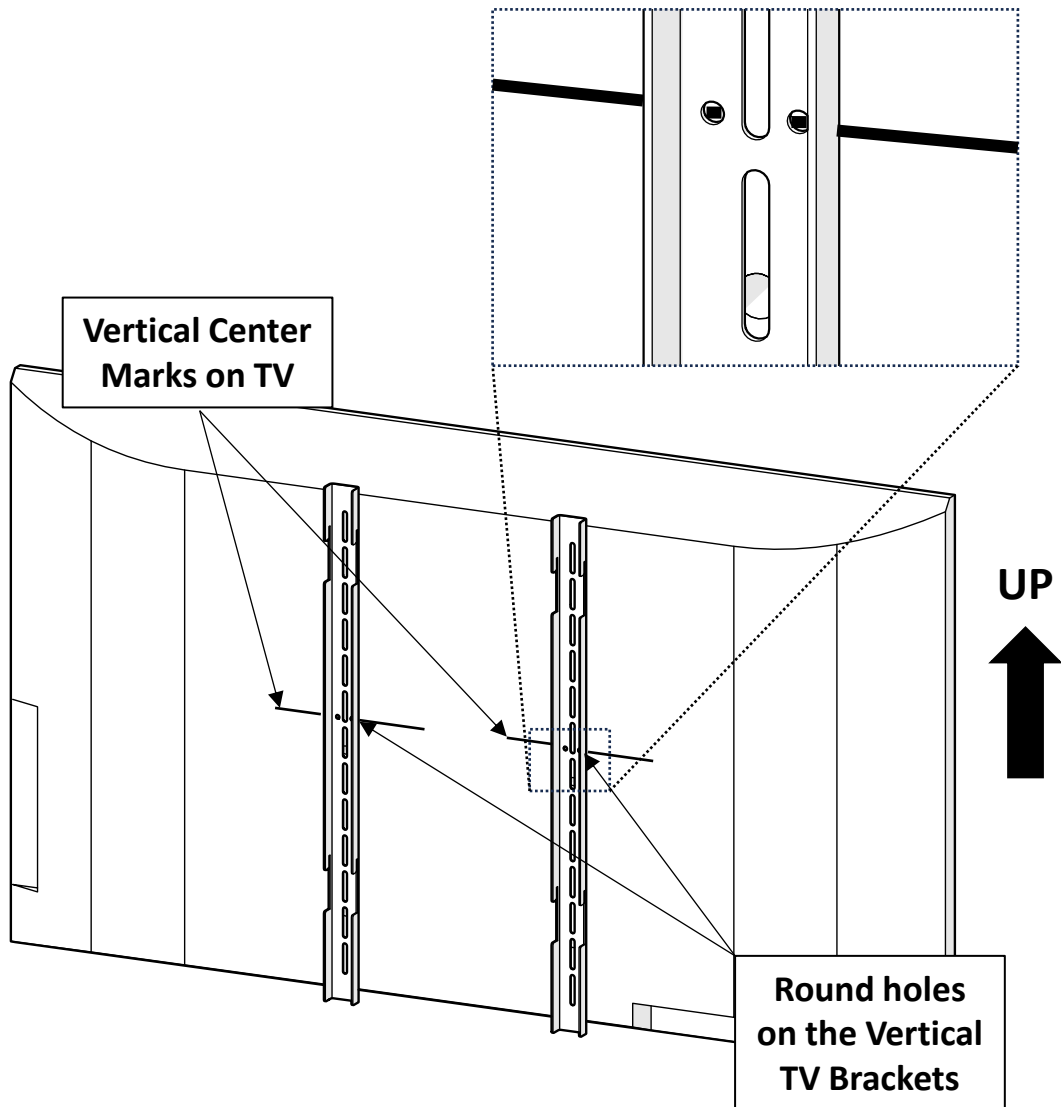
3-3 Measure & Mark Vertical Center of TV



3-4 Note the round hole location in the Vertical TV Mounting Brackets

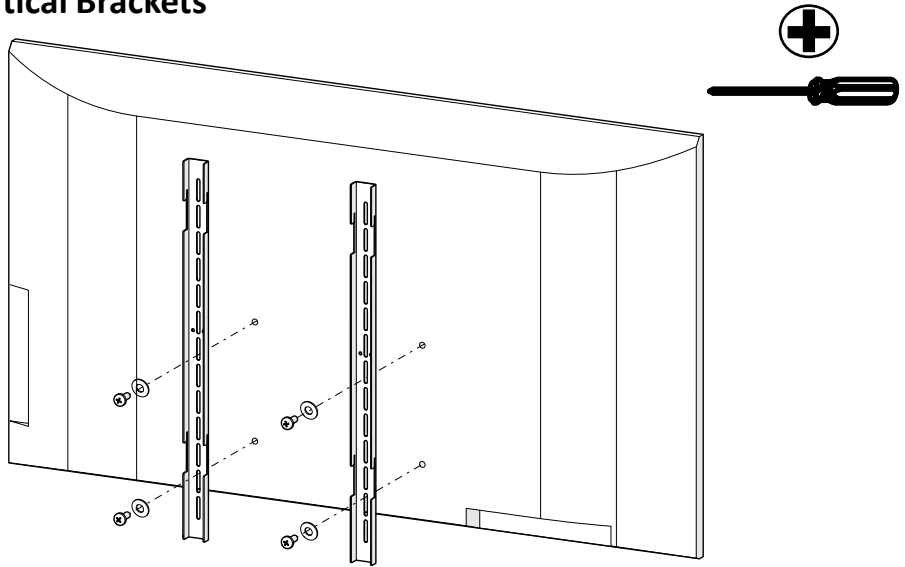


3-5 Determine Placement of TV Vertical Mount Brackets

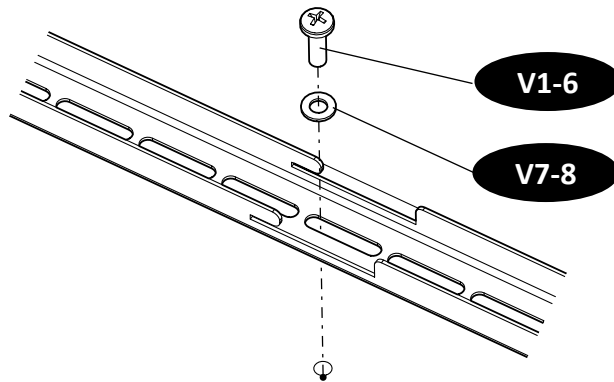


- Place the TV Vertical Mount Brackets over the VESA holes in the back of the TV.
- Align the round holes on the brackets with the center mark you placed on the TV.
- Adjust the brackets up or down slightly if the VESA holes do not align with the slots in the brackets.

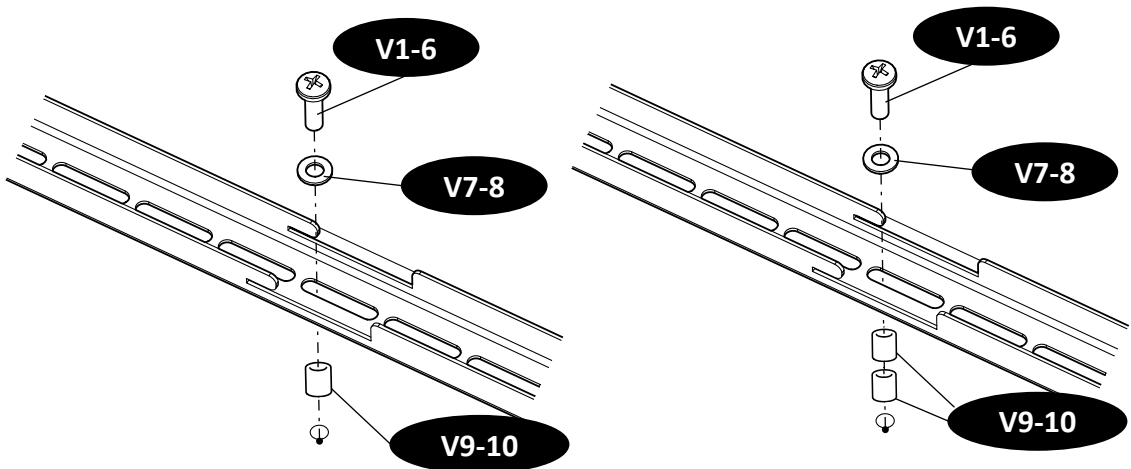
3-6 Attach Vertical Brackets



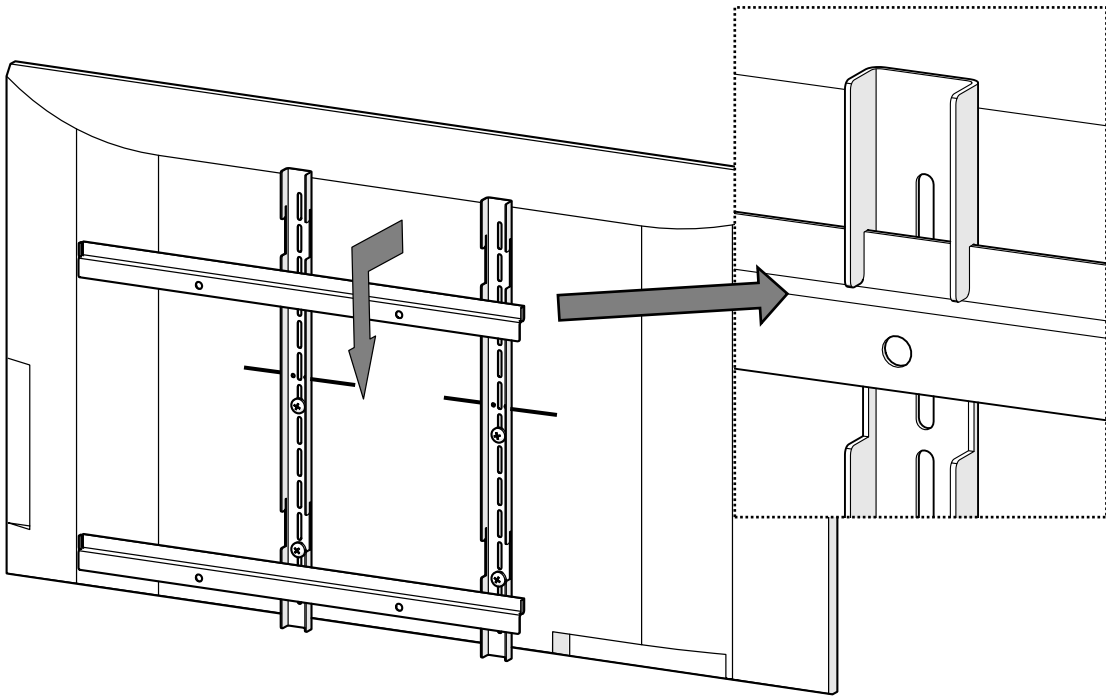
3-7a Attachment without Spacers



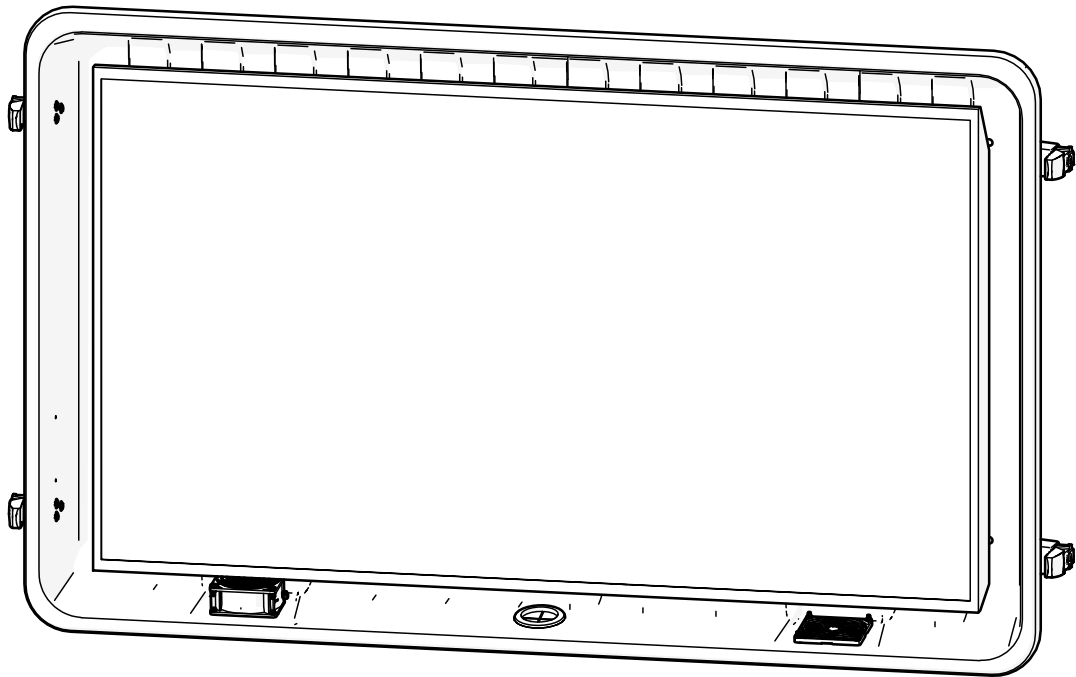
3-7b Attachment with Spacers



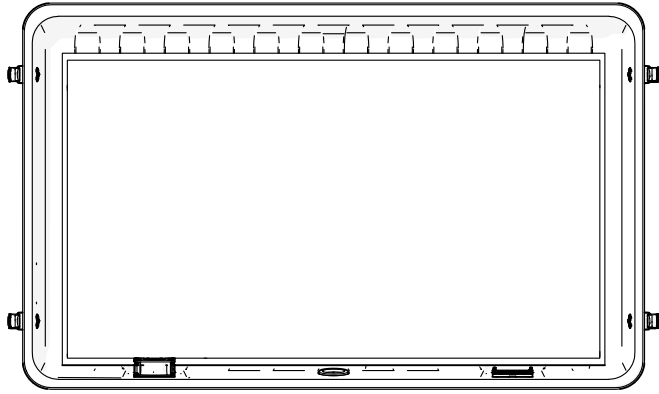
3-8 Hang the TV in the TV Enclosure



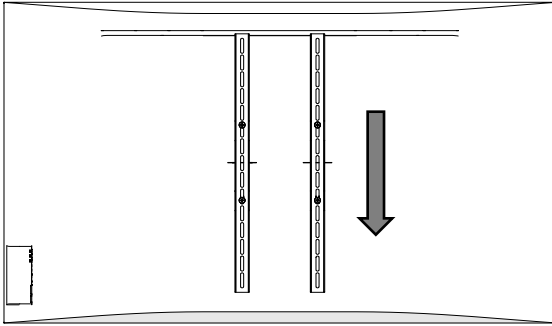
3-9 Check TV Fit in the TV Enclosure



3-10 Adjust Vertical Bracket Position if Necessary

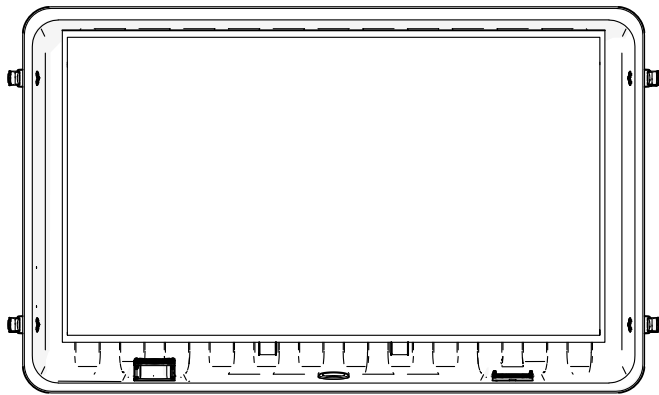


- If TV sits low in the TV enclosure;

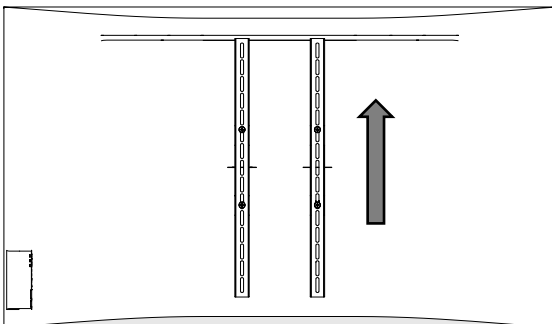


- Adjust Vertical TV Brackets down and re-hang.

3-11 Adjust Vertical Bracket Position if Necessary

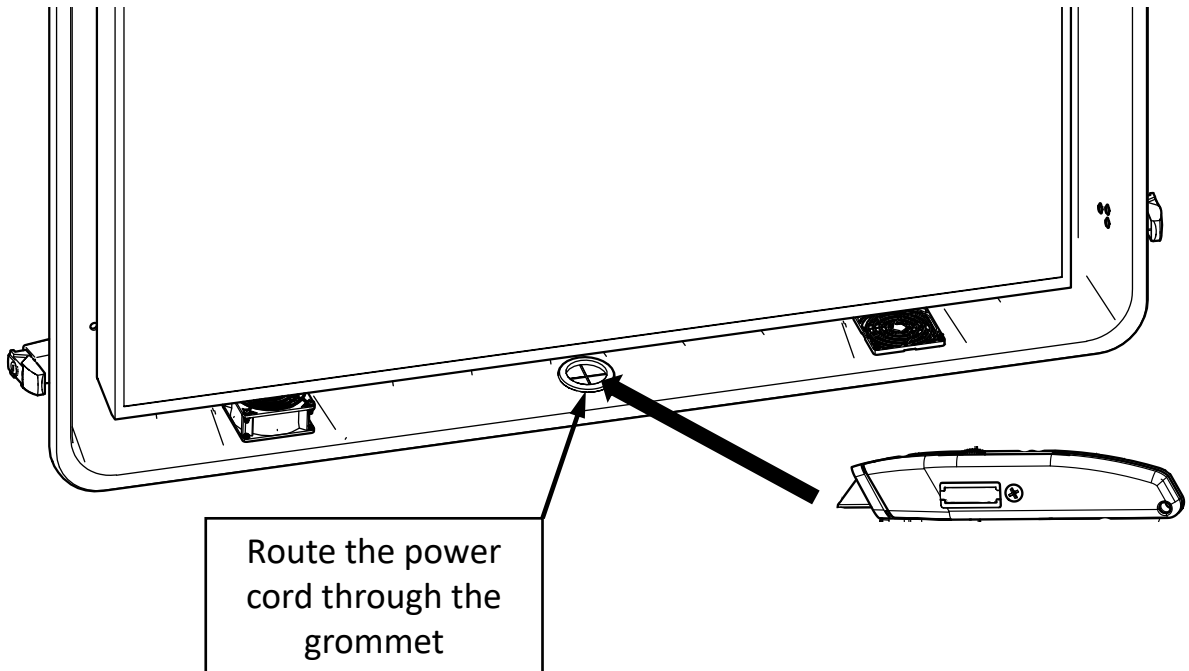


- If TV sits high in the TV enclosure;



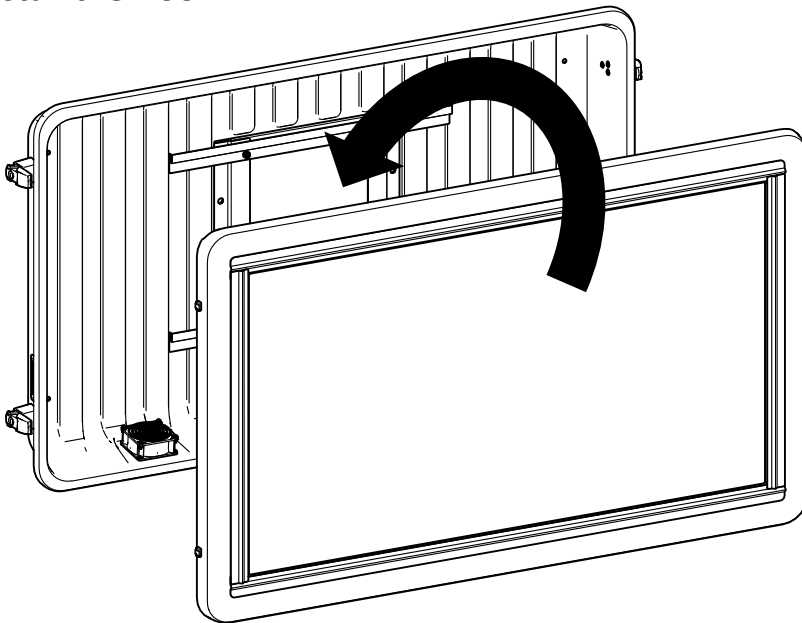
- Adjust Vertical TV Brackets up and re-hang

3-12 Set TV Cables – Cut Cable Grommet



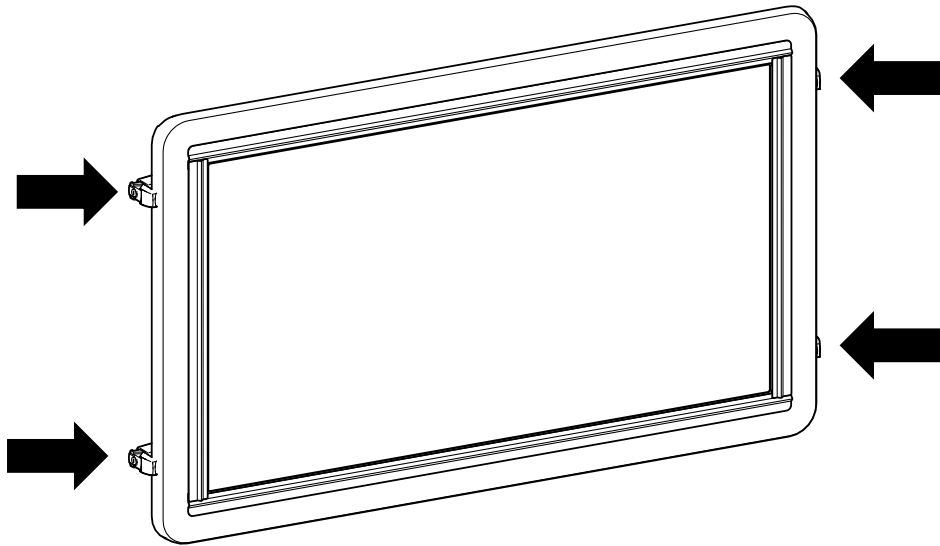
Step 4 – Complete the TV Enclosure Assembly

4-1 Re-install the Door



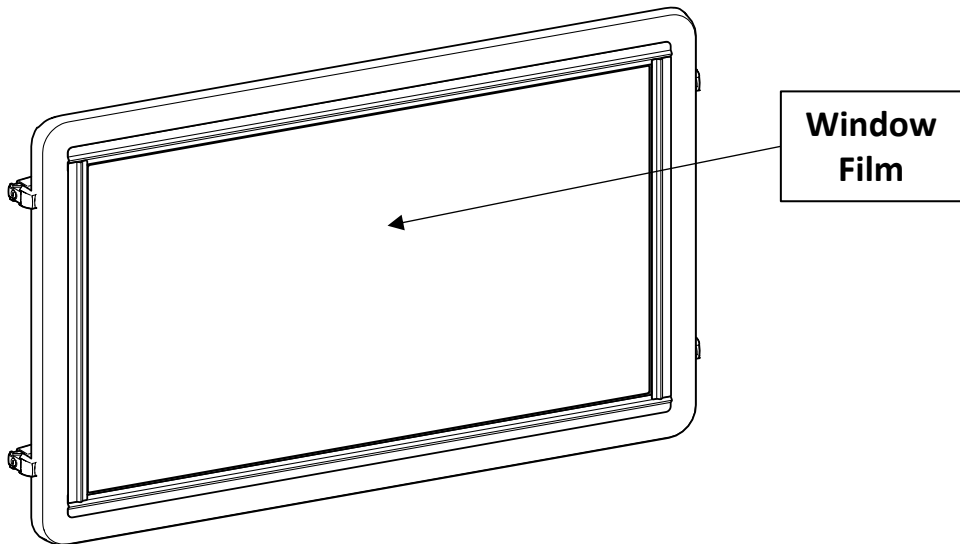
- Reinstall the Door by hooking the top onto the body first then swinging the door to the enclosure body.

4-2 Re-install the Door



- Re-latch all 4 latches to close the door tightly.
- Use the included keys to lock the latches if desired.

4-3 Remove the Protective Film



- Remove the protective film from the Door window.