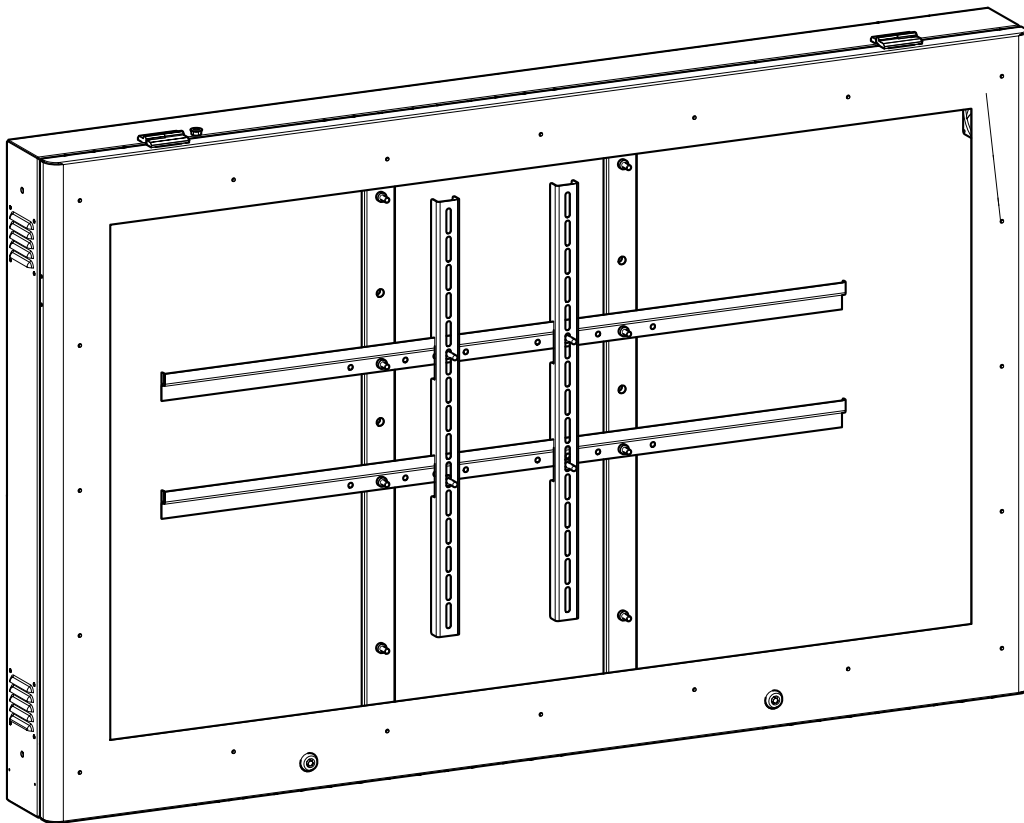




ASSEMBLY & INSTALLATION INSTRUCTIONS

24 Guardian – 75 Guardian TV Enclosure

v 1.0



If you have any questions, please contact us at
info@pcenclosures.net, or call at (866) 646-4383
Mon – Fri 9am – 4pm (MT)

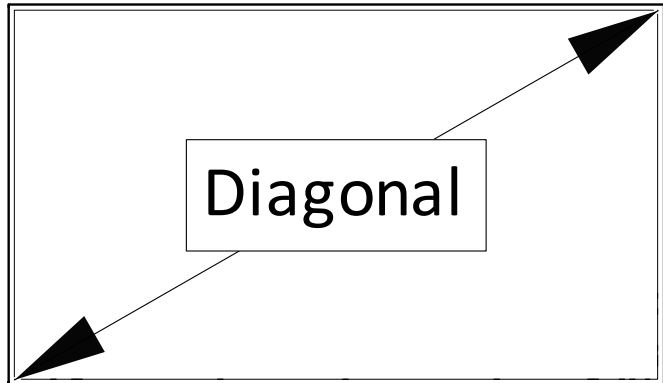
Before getting started, let's make sure this TV Enclosure will work for you!

TV Size

Maximum TV dimensions:

Diagonal Screen Dimension:

- 24 LCD Guardian: 24"
- 32 LCD Guardian: 32"
- 44 LCD Guardian: 44"
- 50 LCD Guardian: 50"
- 55 LCD Guardian: 55"
- 65 LCD Guardian: 65"
- 75 LCD Guardian: 75"



Weight

Enclosure Weight (Varies by options)

- 24 LCD Guardian: 38-42 lbs. (17-19 kgs)
- 32 LCD Guardian: 56-64 lbs. (25-29 kgs)
- 44 LCD Guardian: 74-87 lbs. (34-39 kgs)
- 50 LCD Guardian: 94-107 lbs. (43-49 kgs)
- 55 LCD Guardian: 111-128 lbs. (50-58 kgs)
- 65 LCD Guardian: 122-158 lbs. (55-72 kgs)
- 75 LCD Guardian: 159-174 lbs. (72-79 kgs)



CAUTION!

The total weight of the TV Enclosure will be the enclosure weight plus the weight of the TV and any additional components.

Safety Caution

- Prior to installation of this product, the installation instructions should be read and completely understood to prevent personal injury and property damage. Keep these installation instructions in an easily accessible location for future reference.
- This enclosure contains small parts which can act as a choking hazard if swallowed.
- **CAUTION:** The wall structure must be capable of supporting at least five times the maximum enclosure weight as indicated. If not, the wall must be reinforced.
- Do not mount on drywall or plywood alone.
- Do not install on a structure that is prone to vibration, movement or chance of impact. Failure to do so could result in damage to the display and/or damage to the mounting surface.
- Do not install near heater, fireplace, air conditioning or any other heat producing source. Failure to do so may result in damage to the display and/or the hard cover and could increase the risk of fire.
- Make sure no water or natural gas lines are present where the enclosure is to be installed. Cutting or drilling into water or natural gas lines could cause personal injury or property damage.
- Proper installation procedure by yourself or a qualified service technician, as outlined in the installation instructions, must be adhered to. Failure to do so could result in serious personal injury.
- When mounting to a wall that contains wood studs, confirm the dead center of the wood stud prior to installation, it is recommended that the wood studs be a minimum of 16" apart.
- It is recommended that two people (or more) perform the installation. Injury and/or damage can result from dropping or mishandling the display or enclosure.
- If you don't understand these installation instructions, please consult an installation specialist.

Enclosure Wash Down – Water Protection

- This enclosure is rated NEMA 4 (if powder coated steel), or NEMA 4X (if stainless steel).
- NEMA 4 specifically signifies: A gasketed door enclosure intended for indoor or outdoor use primarily to provide a degree of protection against windblown dust and rain, splashing water, and hose directed water.
- This enclosure uses side louvered vents for internal heat management (cooling). The louvers are designed to substantially prevent water ingress from a hose spray at a ninety-degree angle to the louver.
- CAUTION: If the enclosure will be mounted in an elevated position, and subject to direct spray, water may enter the louvers. Louver seals are provided with all stainless steel Guardians. If your application will subject the louver to direct water spray, you may consider removing the fans and filters inside of the louvers and place the louver seals. In our experience, with the louver seals in place, the internal temperature of the enclosure with a standard TV will rise about 15°F - 20°F above ambient temperature. If that temperature will exceed the specified operating temperature of the TV, alternative cooling methods may be required (please contact us to discuss). If this scenario applies to a powder coated Guardian, please contact PC Enclosures and we can supply louver seals.
- CAUTION: Do not store components (Apple TV, Xbox, etc.) in the bottom of the enclosure if subject to direct hose washdown. Small amounts of water may ingress the sides of the enclosure and pool at the bottom before draining through provided weep holes. The enclosure is designed to protect hanging items (TV, etc.).

Polycarbonate Window Cleaning

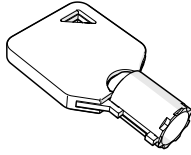
- **WARNING:** If the LCD screen or enclosure polycarbonate windows are cleaned incorrectly, the surface may scratch.
- Before cleaning the LCD screen or the Enclosure polycarbonate window, remove fine dust from the surface with compressed air. Do not rub the screen surface with a cloth when dust is present.
- Once the screen or window is free of dust, use a dry, soft, lint-free micro-fiber cleaning cloth made specifically for cleaning LCD screens. A solution of mild soap and water may be used as needed. Never use a paper towel or standard wash cloth.
- **CAUTION:** While the protective film is on the polycarbonate window do not store the units in sunlight. Storing in shade will help prevent melting of the protective film to the polycarbonate window.

Direct Sunlight Warning

- **WARNING:** This enclosure is not designed to be mounted in direct sunlight unless you purchased an air conditioning unit or air curtain.
- Placing this enclosure in direct sunlight will cause overheating of the enclosure interior. This will warp the enclosure window and potentially damage the TV display and/or any other internal components.

24 Guardian Supplied Parts

TV Enclosure

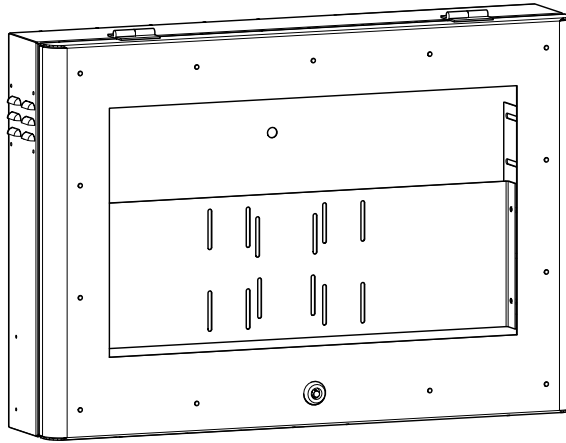


Key (2 PC)



CAUTION!

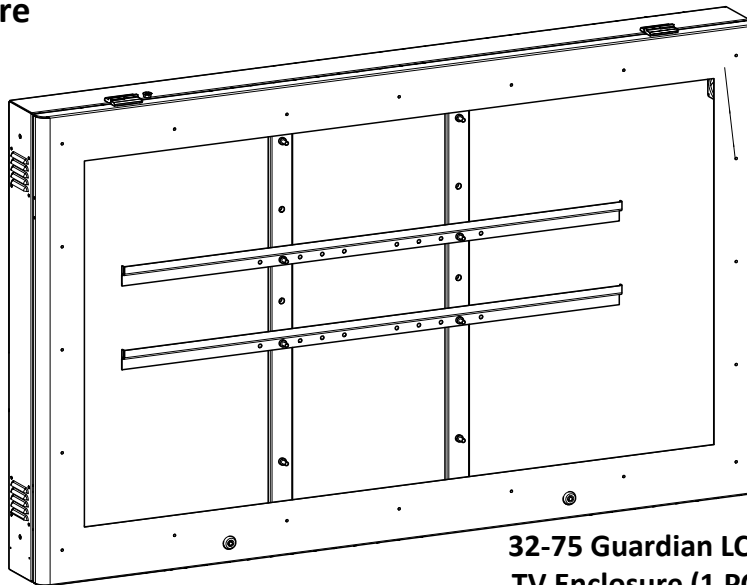
CHOKING HAZARD



24 Guardian LCD TV Enclosure (1 PC)

32-75 Guardian Supplied Parts

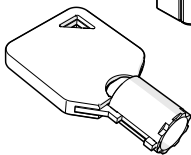
TV Enclosure



CAUTION!

CHOKING HAZARD

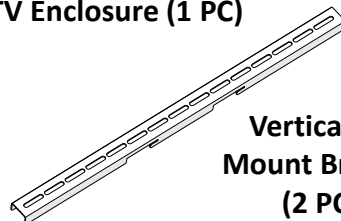
32-75 Guardian LCD TV Enclosure (1 PC)



Key (2 PC)



Louver Seal Plate (2/4 PC – SS Only)



Vertical TV Mount Bracket (2 PC)

24-75 Guardian Supplied TV Mounting Bracket Hardware

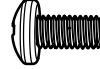
TV Mounting Bracket Hardware



M4x12mm
V1 (4 PC)



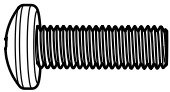
M4x30mm
V2 (4 PC)



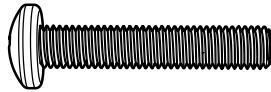
M6x12mm
V3 (4 PC)



M6x30mm
V4 (4 PC)



M8x25mm
V5 (4 PC)



M8x45mm
V6 (4 PC)



D4 Washer
V7 (4 PC)



D6 Washer
V8 (4 PC)



5mm Spacer
V9 (4 PC)



10mm Spacer
V10 (4 PC)



CAUTION!

CHOKING HAZARD

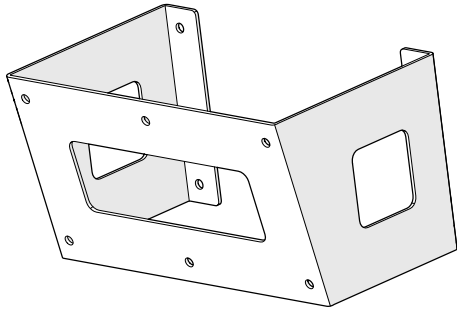
A note about the TV mounting bracket spacers:

You may want to locate the TV screen as close to the enclosure window as possible. For Anti-Glare windows, the TV screen must be mounted as close as possible to the window for clear viewing.

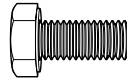
Different spacers and screws may be required to mount the TV screen closer to the window. These can be purchased at a local hardware store or online.

Optional Parts & Hardware (Not Included with TV Enclosure)

32-75 TV Enclosure Tilt Bracket



TV Enclosure Tilt Bracket (1 PC)



**M12x30 Screw
A1 (4 PC)**



**M12 Washer
A2 (8 PC)**

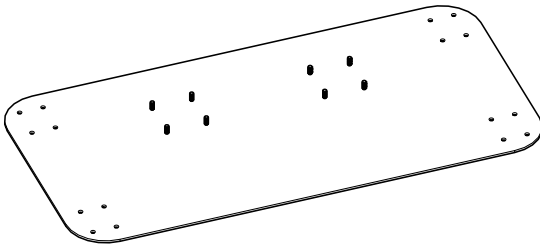


**M12 Nut
A3 (4 PC)**

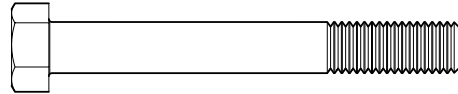


**CAUTION!
CHOKING
HAZARD**

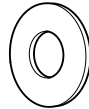
32-75 TV Enclosure Pedestal



Base (1 PC)



**M12 x 90 Screw
B1 (4 PC)**



**M12 Washer
B2 (8 PC)**



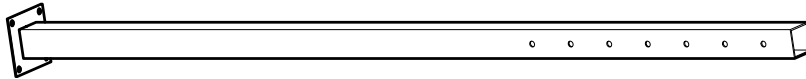
**M12 Nut
B3 (4 PC)**



**M8 Washer
B4 (8 PC)**



**M8 Nut
B5 (8 PC)**

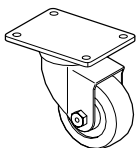


Upright Post (2 PC)

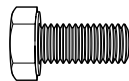


**CAUTION!
CHOKING
HAZARD**

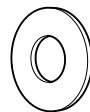
32-75 TV Enclosure Pedestal Casters



Caster (4 PC)



**M8 x 12 Screw
C1 (16 PC)**



**M8 Washer
C2 (16 PC)**



**M8 Nut
C3 (16 PC)**



CAUTION!

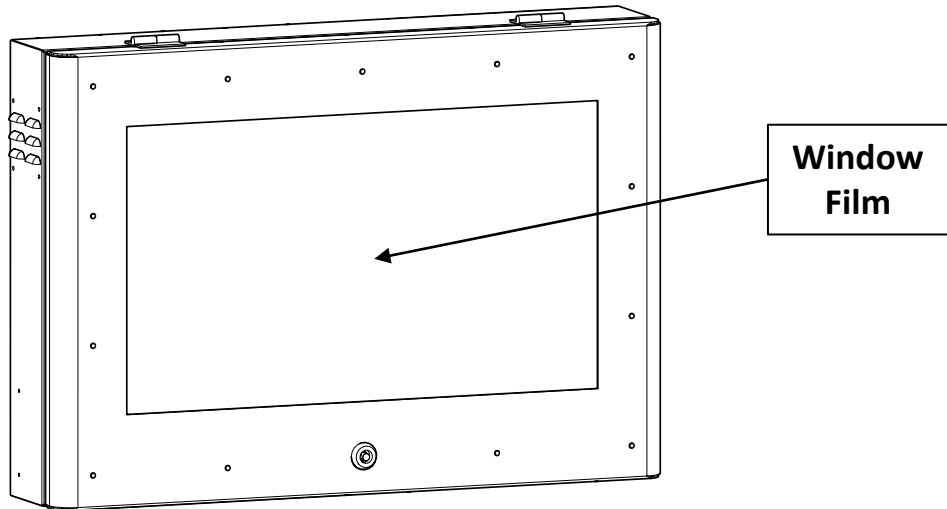
**CHOKING
HAZARD**

Step 1 – Prepare the TV Enclosure

- For the 24 Guardian LCD Enclosure, follow STEP 1A
- For the 32-75 Guardian LCD Enclosure, follow STEP 1B

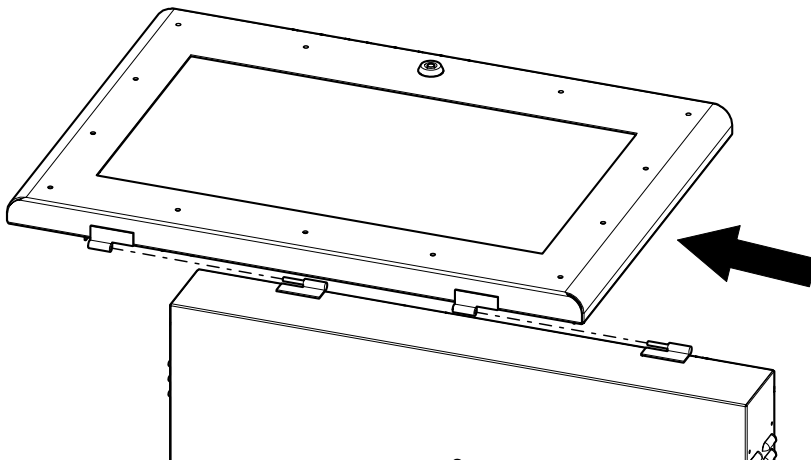
Step 1A – Prepare the 24 Guardian TV Enclosure

1A-1 Protect the Window from Scratches



- To protect the window from scratches, leave the protective film on until instructed to remove it.

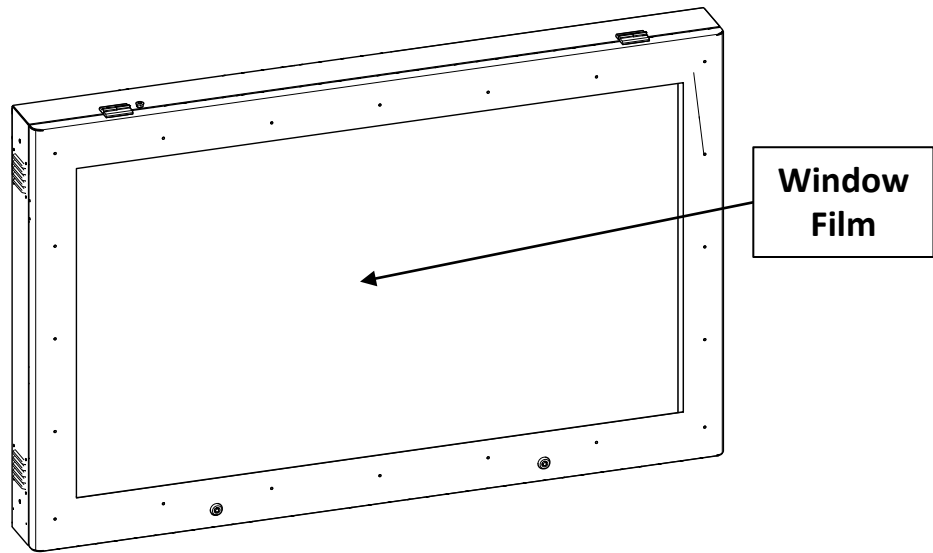
1A-2 Remove the Door



- Remove the Door and place it in a safe location.

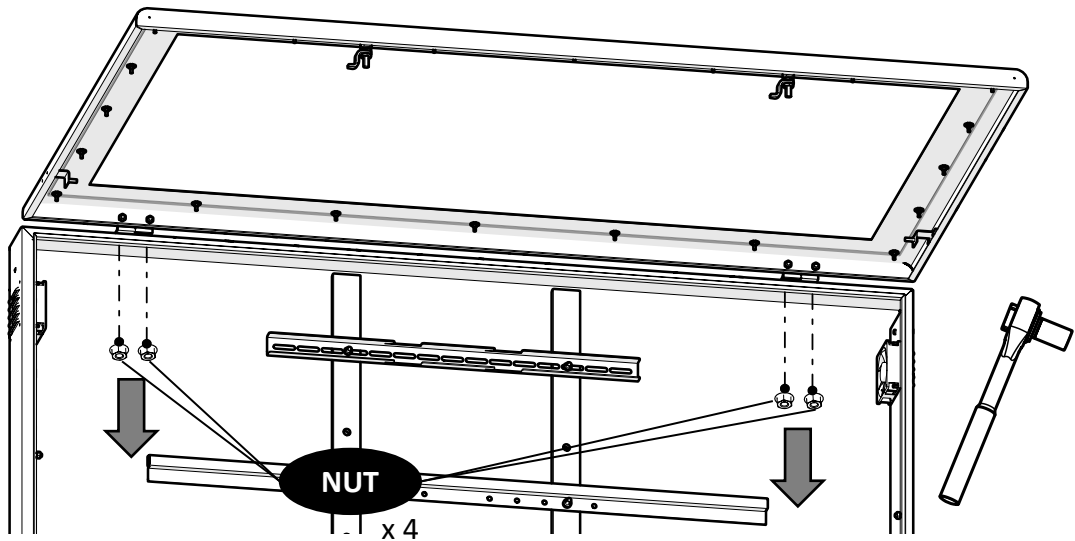
Step 1B – Prepare the 32-75 Guardian TV Enclosure

1B-1 Protect the Window from Scratches



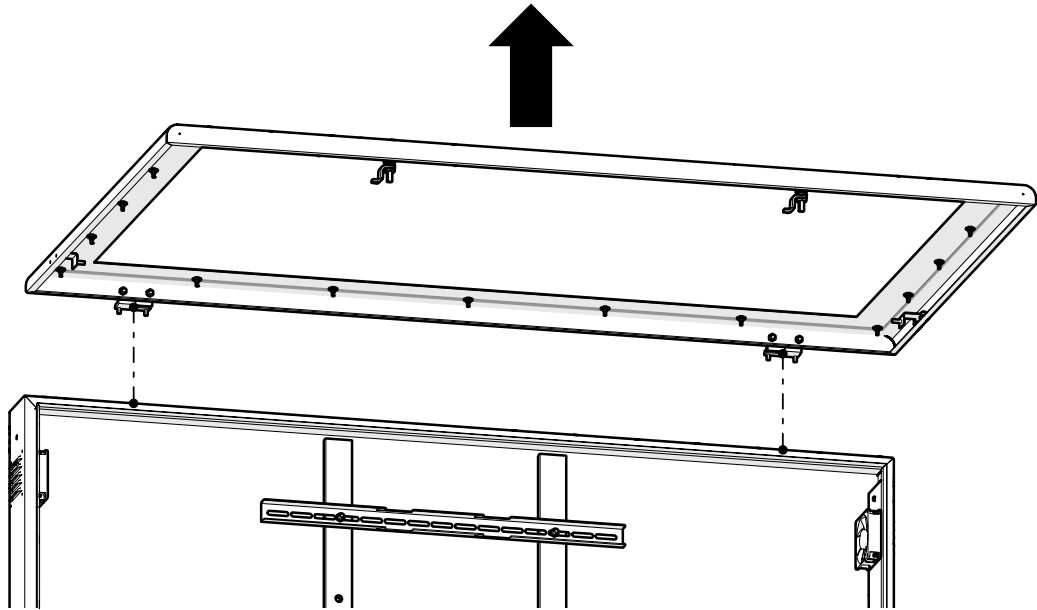
- To protect the window from scratches, leave the protective film on until instructed to remove it.

1B-2 Remove the TV Enclosure Door



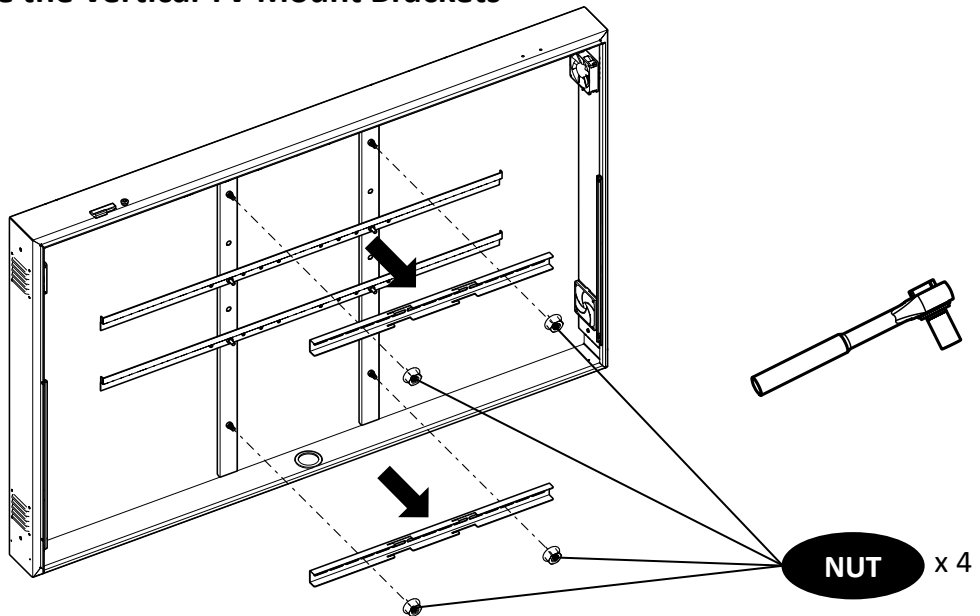
- Remove two nuts from each hinge as shown. Keep the nuts for re-installation.

1B-3 Remove the TV Enclosure Door



- Remove the Door with the hinges and place it in a safe location.

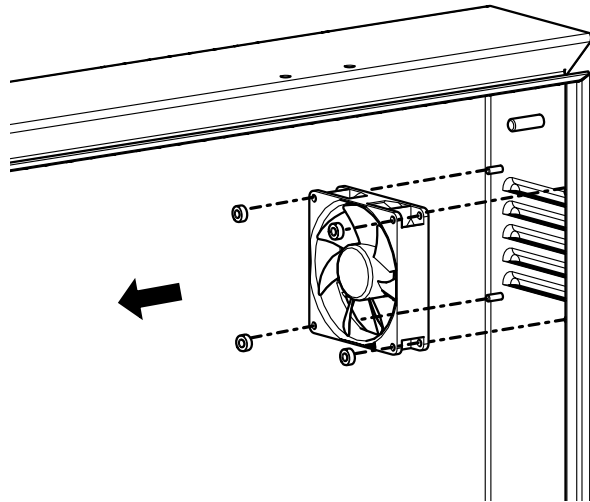
1B-4 Remove the Vertical TV Mount Brackets



- Remove the nuts on the Vertical TV Mount Brackets.
- Remove the brackets and save them for later.
- Replace the nuts and re-tighten.

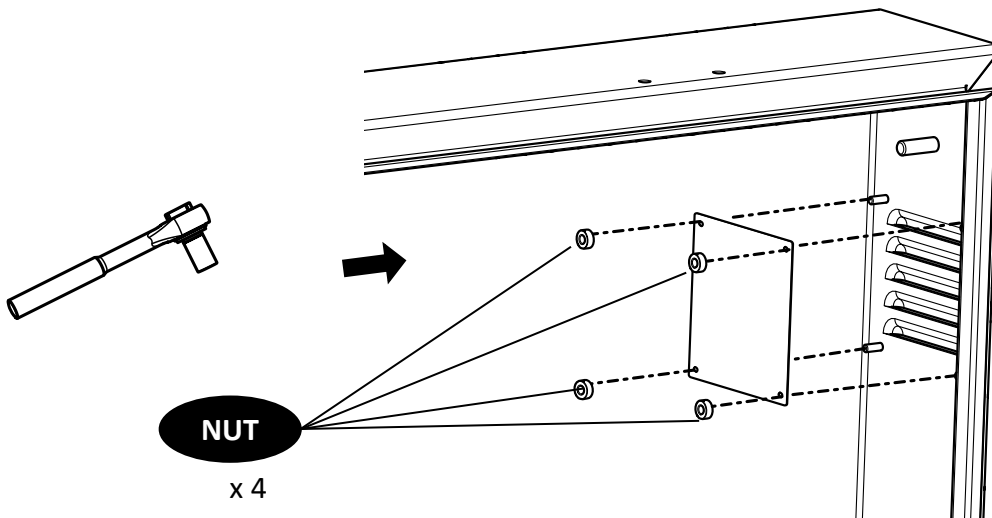
1B-5 Optional for Stainless Steel Guardian – Place Louver Seals if louvers will be subject to direct water spray.

Caution: Placing the louver seals will raise the internal temperature of the enclosure by 15°F– 20°F.



- **Remove the Fan(s) and Filter(s).**

1B-4 Place the Louver Seals



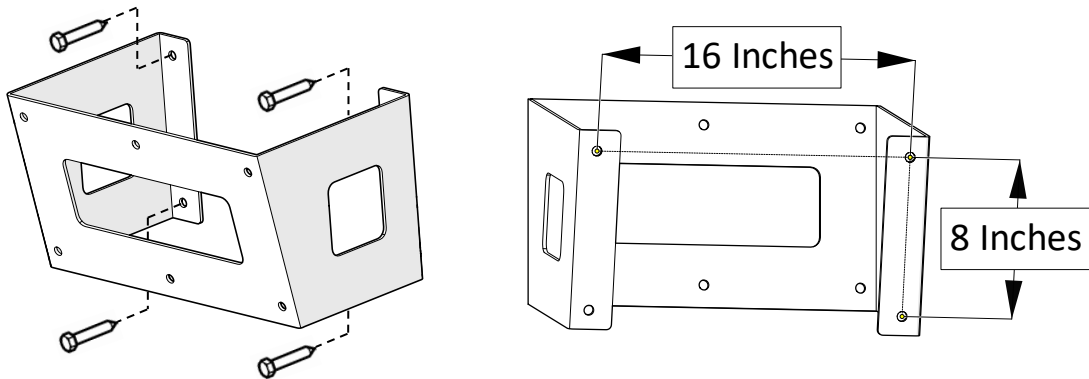
- **Place Louver Seal over studs and fasten.**

Step 2 – Mount the Enclosure

- For 24 Guardian TV Enclosure wall installation, Follow STEP 2A
- For 32-75 Guardian TV Enclosure wall installation, follow STEP 2B
- For 32-75 Guardian TV Enclosure Pedestal Installation, follow STEP 2C

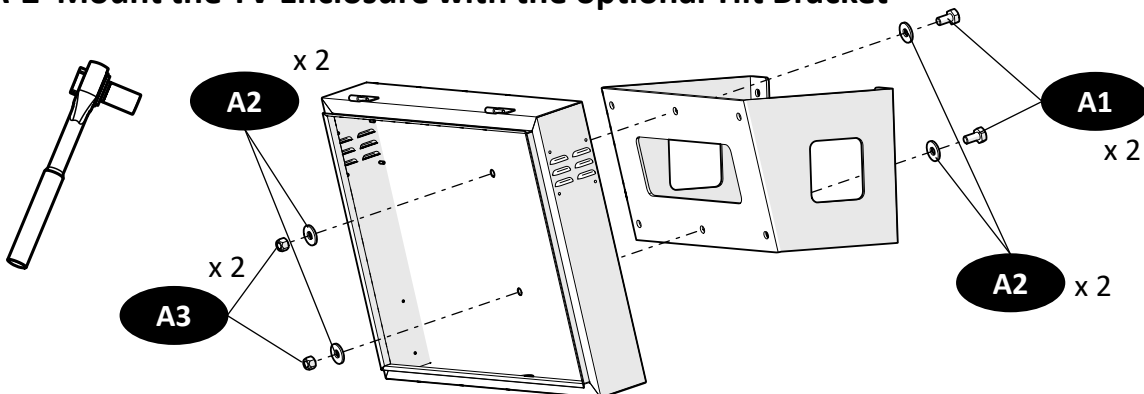
Step 2A – 24 Guardian Wall Installation

2A-1 Mount the TV Enclosure with the optional Tilt Bracket
(Skip to Step 2A-3 is you are not using the optional Tilt Bracket)



- Mount the Tilt Bracket as needed. Ensure the structure can support at least five times the maximum load capacity as indicated. All mounting hardware (not included) must be 3/8" (10mm) diameter or larger to secure the Tilt Bracket.
- Use a bubble level to level the Tilt Bracket.

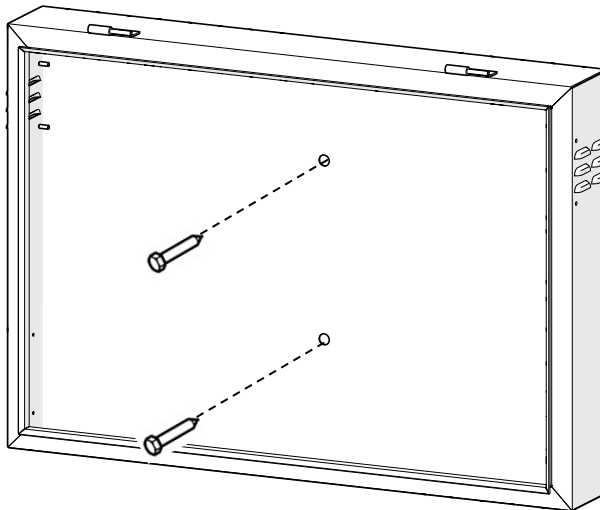
2A-2 Mount the TV Enclosure with the optional Tilt Bracket



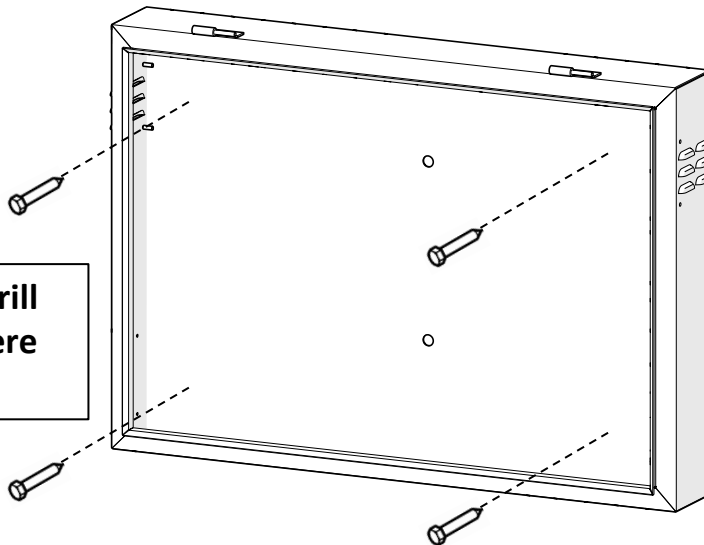
- Attach the TV Enclosure to the Tilt Bracket using the hardware supplied with the Tilt Bracket.
- Go to STEP 5A.

2A-3 Mount the TV Enclosure

Option: Use the provided mounting holes



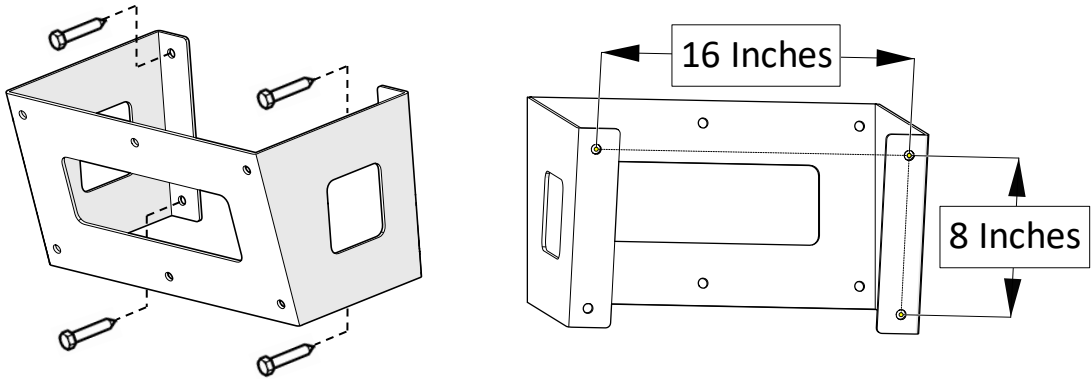
Option: Drill holes where needed



- **Mount the TV Enclosure as needed. Ensure the structure can support at least five times the maximum load capacity as indicated. All mounting hardware (not included) must be 3/8" (10mm) diameter or larger to secure the enclosure. (2 or more required)**
- **Use the 2 provided mounting holes and/or drill holes in the TV Enclosure where required.**
- **Use a bubble level to level the TV Enclosure.**
- **Go to STEP 5A.**

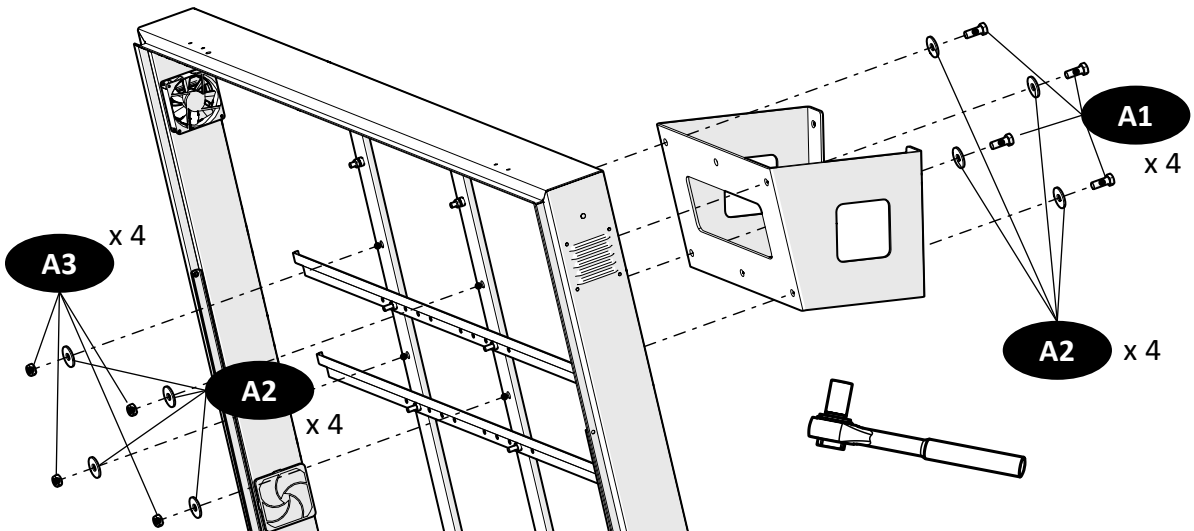
Step 2B – 32-75 Guardian Wall Installation

2B-1 Mount the TV Enclosure with the optional Tilt Bracket (Skip to Step 2B-3 is you are not using the optional Tilt Bracket)



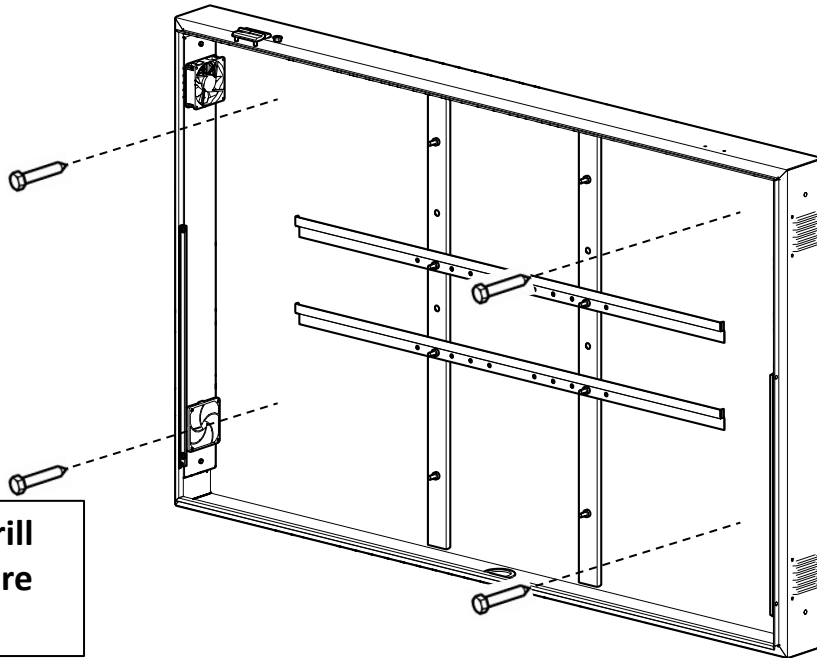
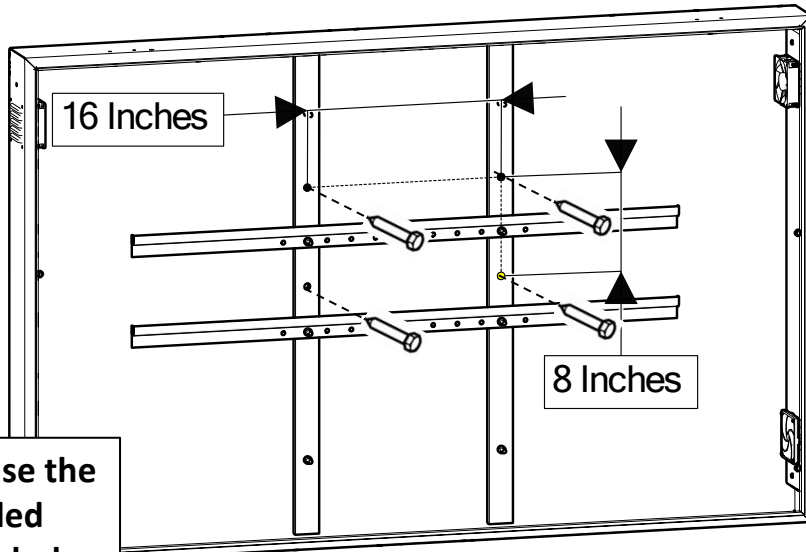
- Mount the Tilt Bracket as needed. Ensure the structure can support at least five times the maximum load capacity as indicated. All mounting hardware (not included) must be 3/8" (10mm) diameter or larger to secure the Tilt Bracket.
- Use a bubble level to level the Tilt Bracket.

2B-2 Mount the TV Enclosure with the optional Tilt Bracket



- Attach the TV Enclosure to the Tilt Bracket using the hardware supplied with the Tilt Bracket.
- Go to Step 3.

2B-3 Mount the TV Enclosure to the wall

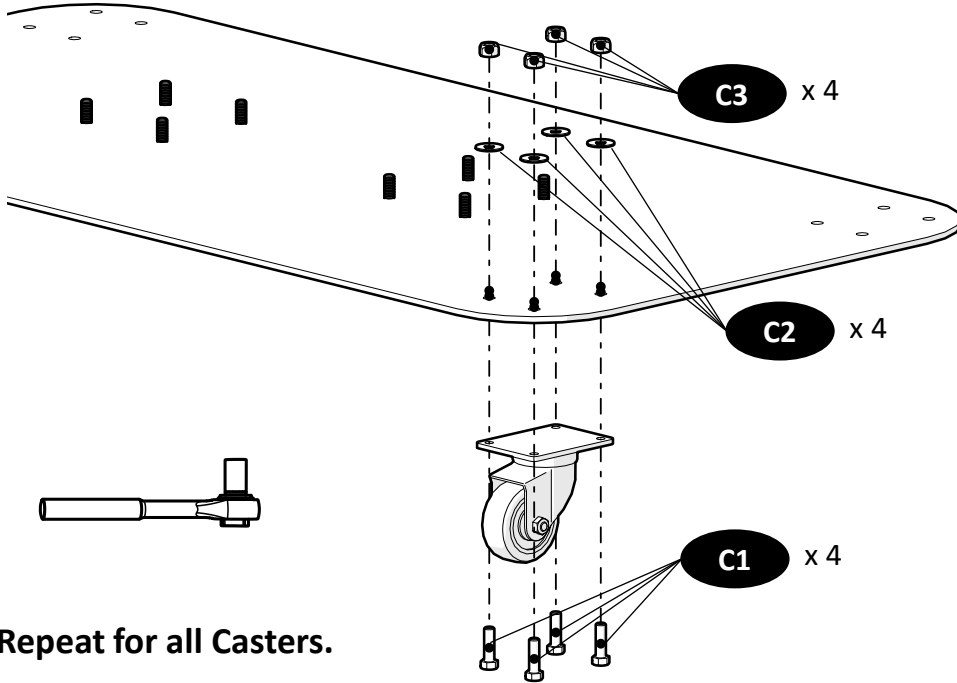


- Mount the TV Enclosure as needed. Ensure the structure can support at least five times the maximum load capacity as indicated. All mounting hardware (not included) must be $3/8''$ (10mm) diameter or larger to secure the enclosure. (4 or more required)
- Use the 4 provided mounting holes (spaced 16 inches apart) and/or drill holes in the TV Enclosure where required.
- Use a bubble level to level the TV Enclosure.

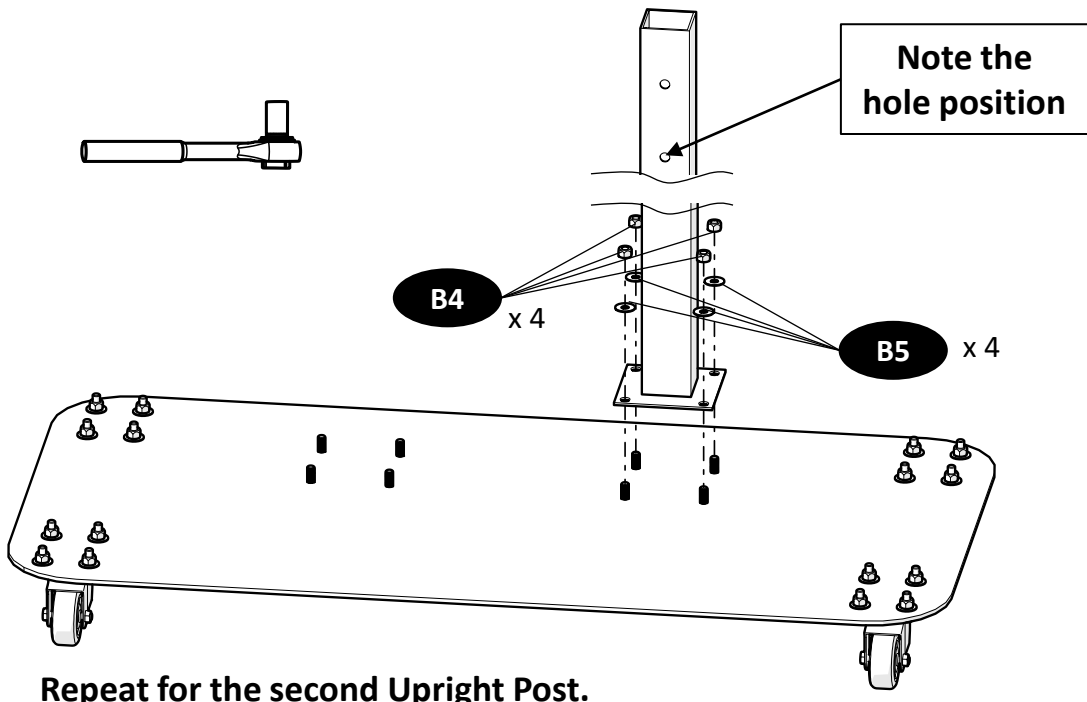
Step 2C – 32-75 Guardian Pedestal Installation

2C-1 Install the Casters to the Pedestal Base

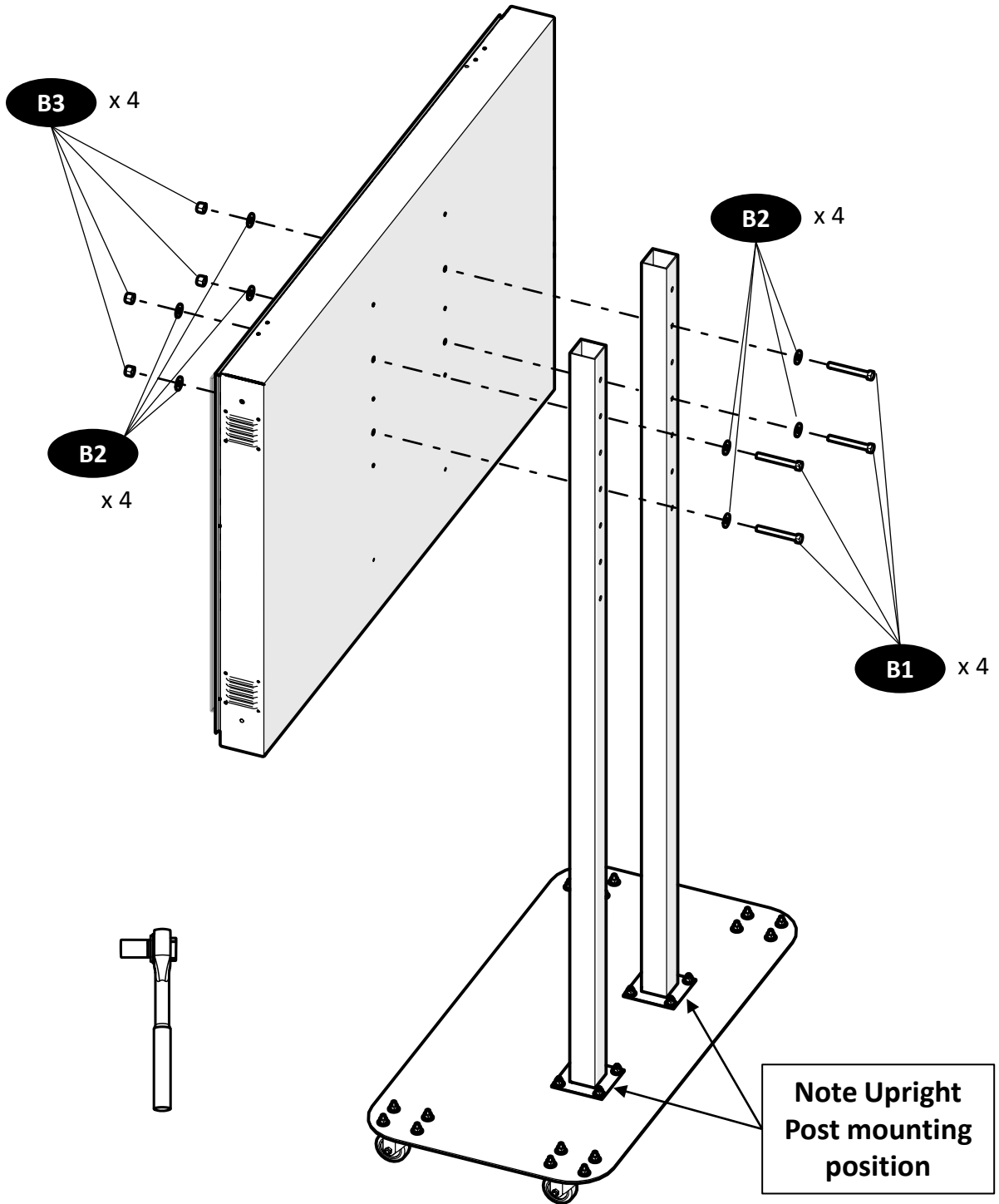
(Skip to Step 2C-2 is you are not using the optional Casters)



2C-2 Install the Upright Posts to the Pedestal Base



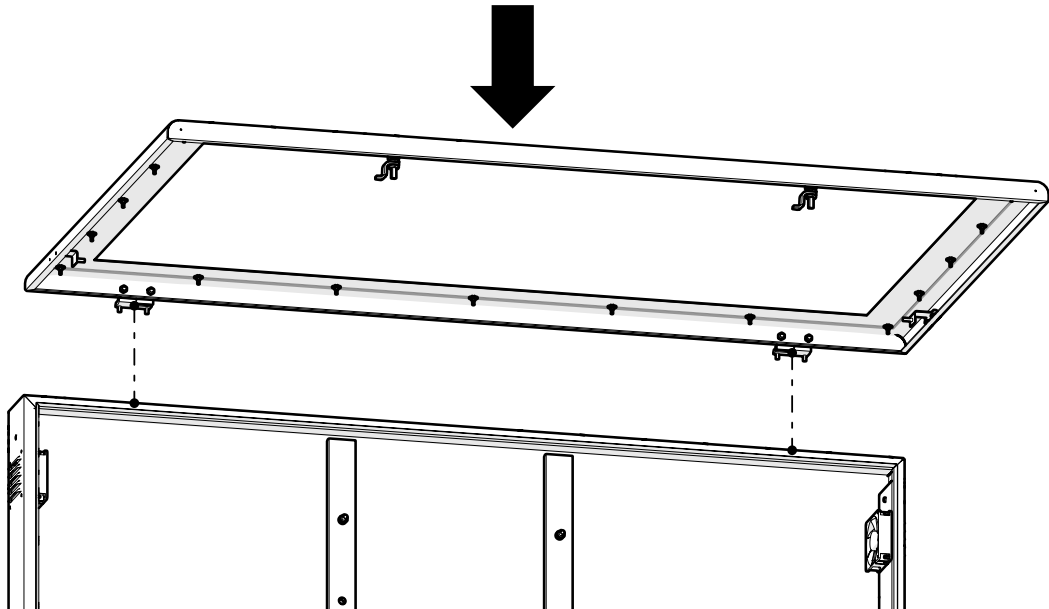
2C-3 Mount the TV Enclosure



- Choose the assembly holes in the Upright Posts that fit your desired installation position.

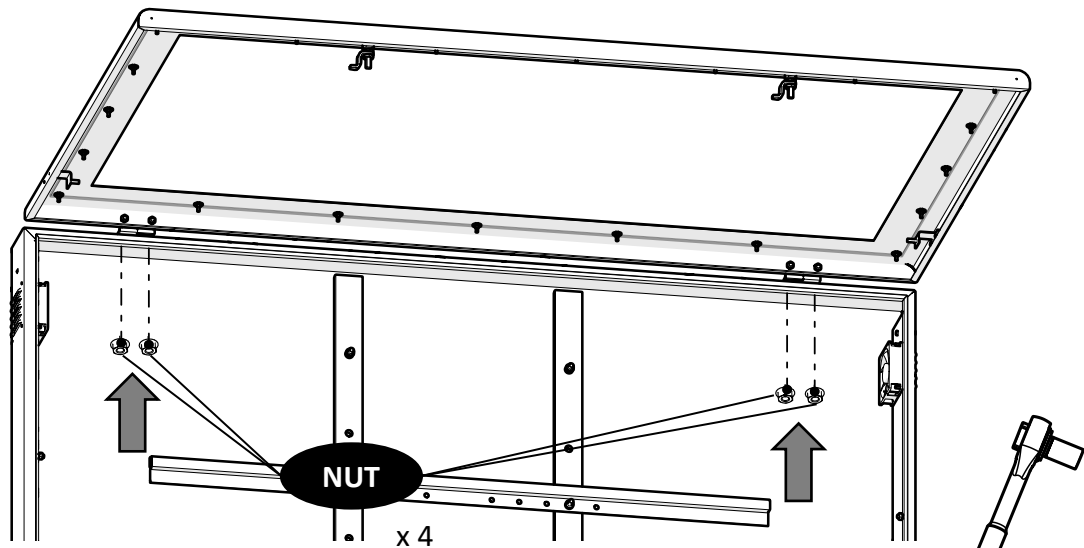
Step 3 – Complete the 32-75 Guardian TV Enclosure Assembly

3-1 Re-install the Door



- Reinstall the Door by aligning the hinges with the holes in the enclosure.

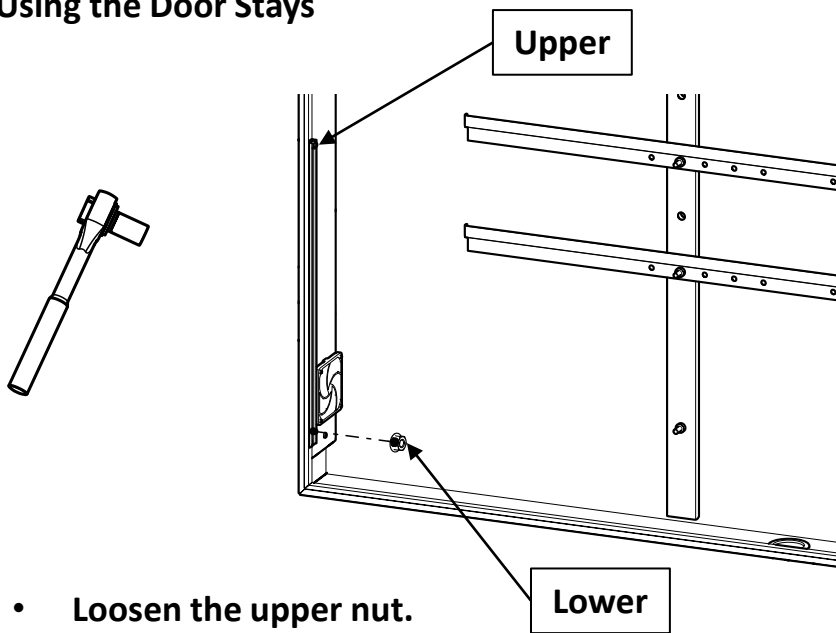
3-2 Re-install the Door



- Re-install the original nuts on the hinges.
- Do not over tighten.

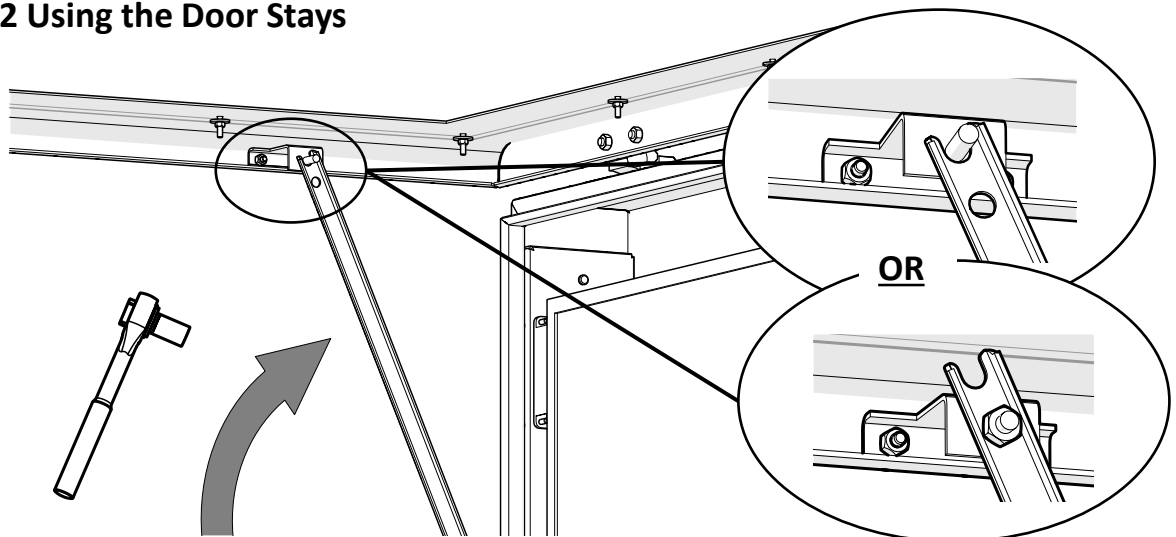
Step 4 – Using the 32-75 Guardian Door Stays

4-1 Using the Door Stays



- Loosen the upper nut.
- Remove the lower nut.
- Left side shown, repeat on the right side.

4-2 Using the Door Stays



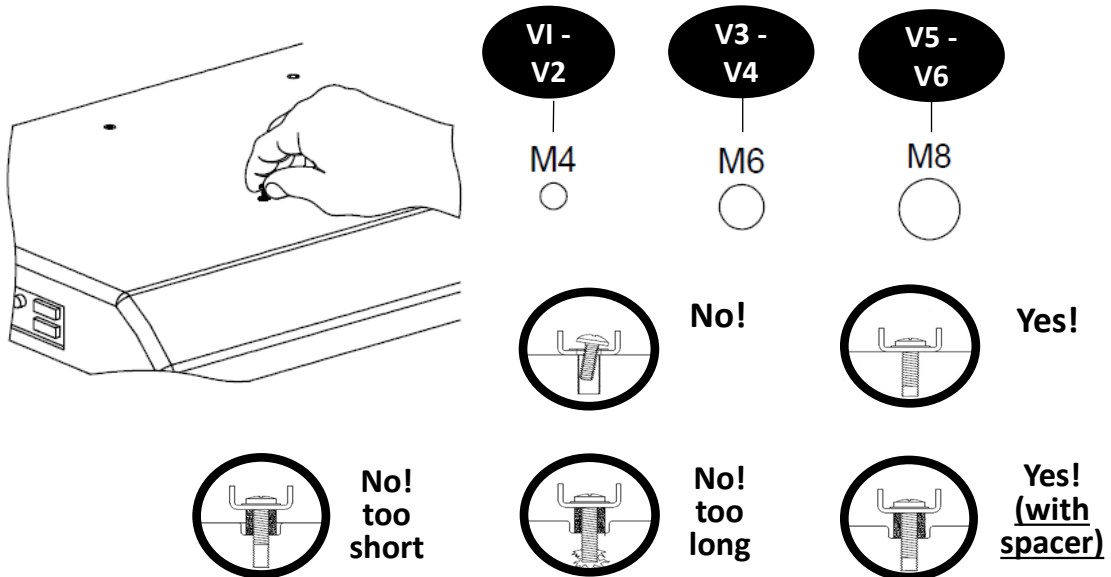
- Rotate both Door Stays up and rest the Door in the slot or insert the stud through the hole and install a nut for a more secure Door hold. Secure all nuts.
- Return both Door Stays and the nuts to the original position before closing the Door.

Step 5 – Mount the TV in the TV Enclosure

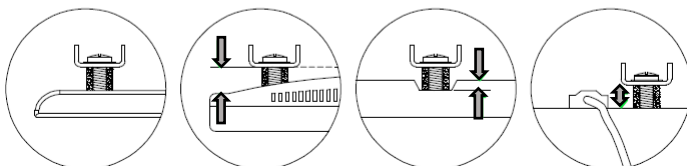
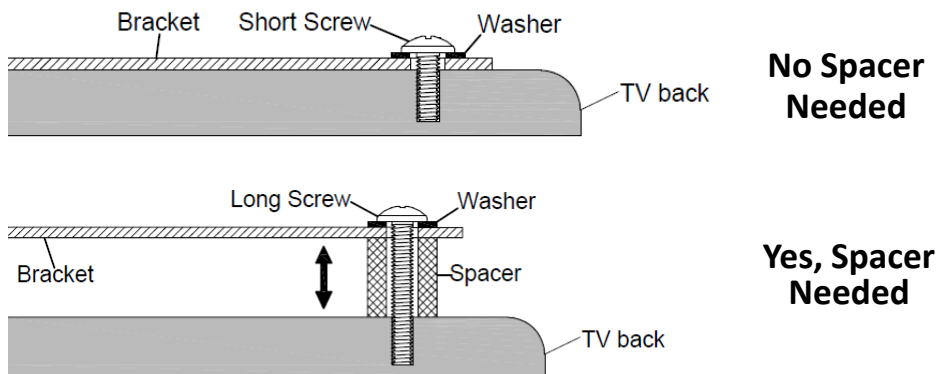
- For 24 Guardian TV Enclosure assembly, Follow STEP 5A
- For 32-75 Guardian TV Enclosure assembly, follow STEP 5B

Step 5A – Mount the TV in the 24 Guardian TV Enclosure

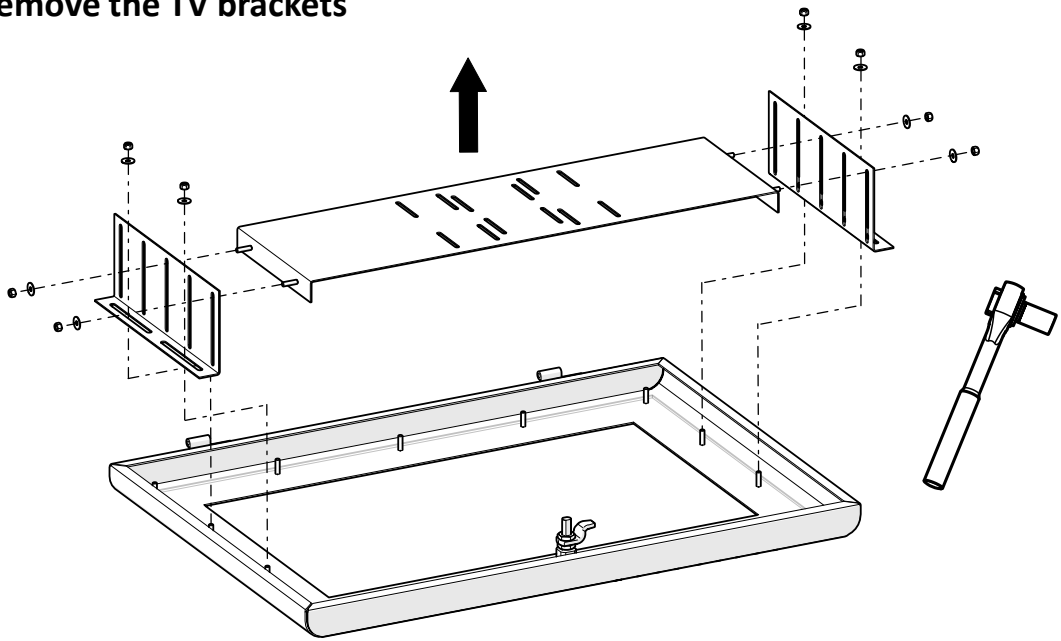
5A-1 Select TV Screws



5A-2 Determine if Spacers are Needed

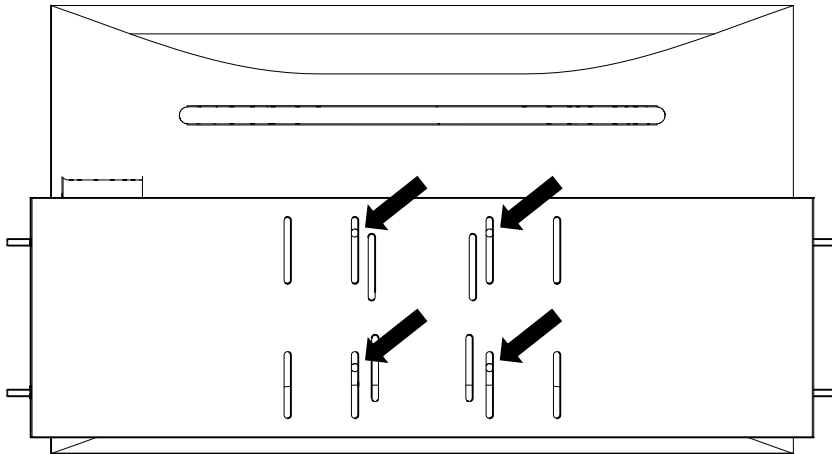


5A-3 Remove the TV brackets



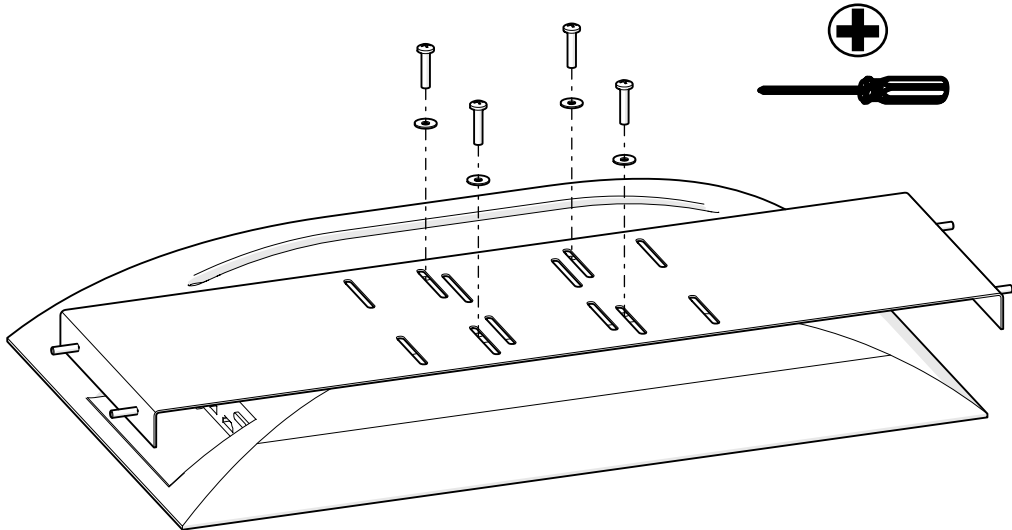
- Place the Door face down on a protected surface.
- Remove the Side TV Brackets and the Back TV Bracket.
- Save the hardware to reuse later.

5A-4 Position the back TV bracket



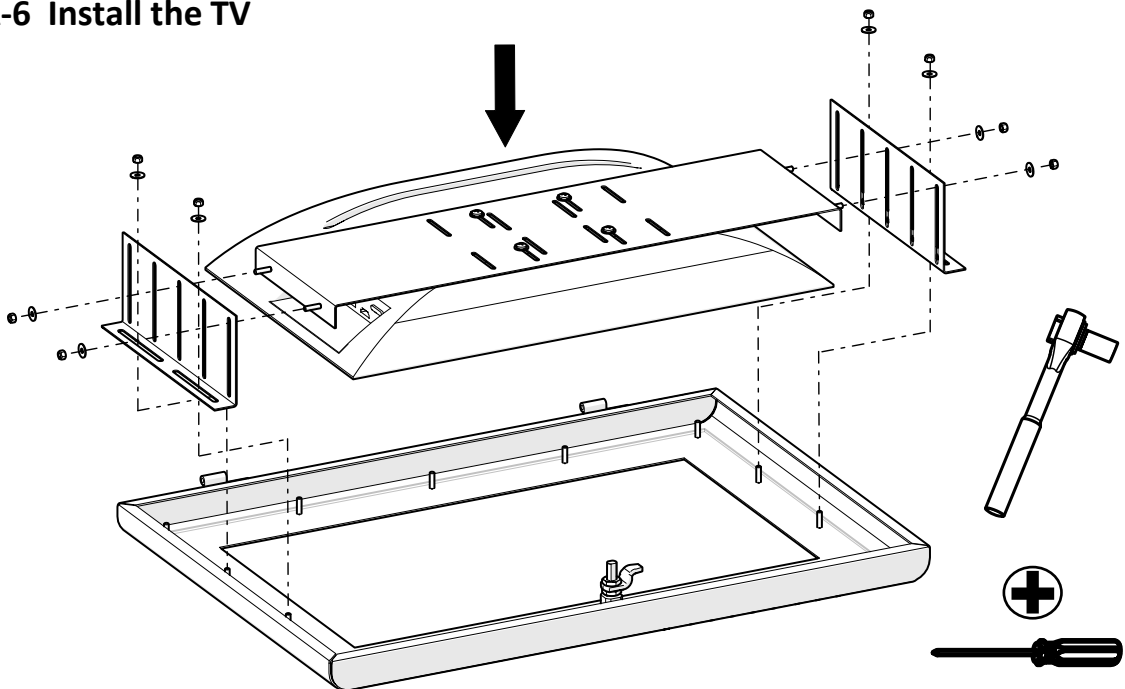
- Place the Back TV Bracket over the VESA holes in the back of the TV.
- Adjust the bracket up or down to align the 4 VESA holes with the slots in the bracket.

5A-5 Attach the back TV bracket



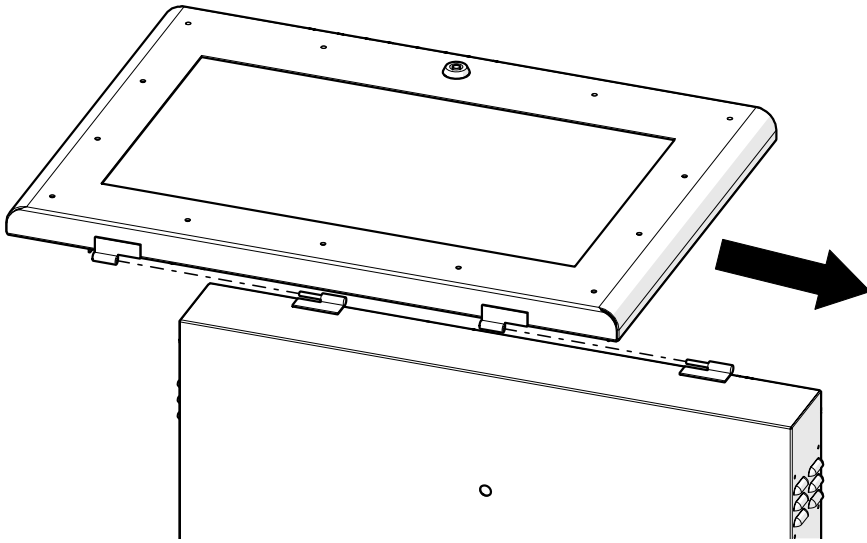
- Leave the screws loose so the bracket can slide up and down.

5A-6 Install the TV



- Reinstall the TV brackets and hardware to the Door with the TV.
- Before tightening the hardware, slide the brackets up and down to center the TV screen in the window opening.
- Place the TV close to the window for the best viewing experience.
- Tighten all hardware.

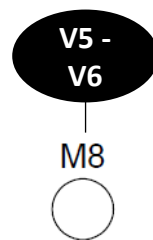
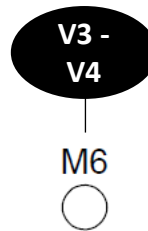
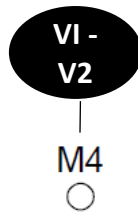
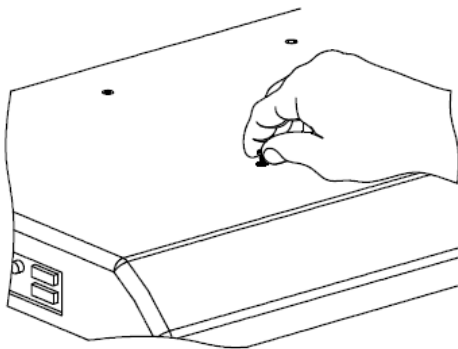
5A-7 Re-install the Door with the TV



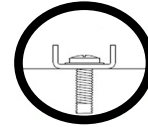
- Reinstall the Door by aligning the hinges pins and slide the Door.
- Go to STEP 5B-12.

Step 5B – Mount the TV in the 32-75 Guardian TV Enclosure

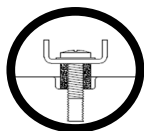
5B-1 Select TV Screws



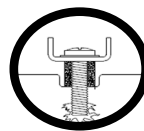
No!



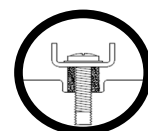
Yes!



No!
too
short

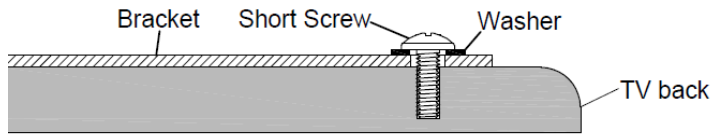


No!
too
long

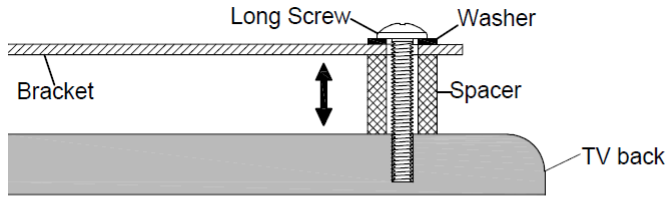


Yes!
(with
spacer)

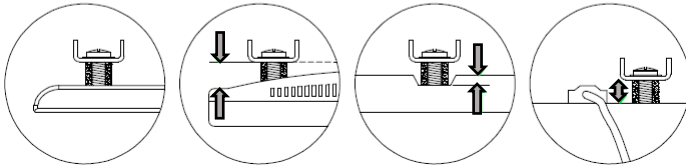
5B-2 Determine if Spacers are Needed



No Spacer Needed

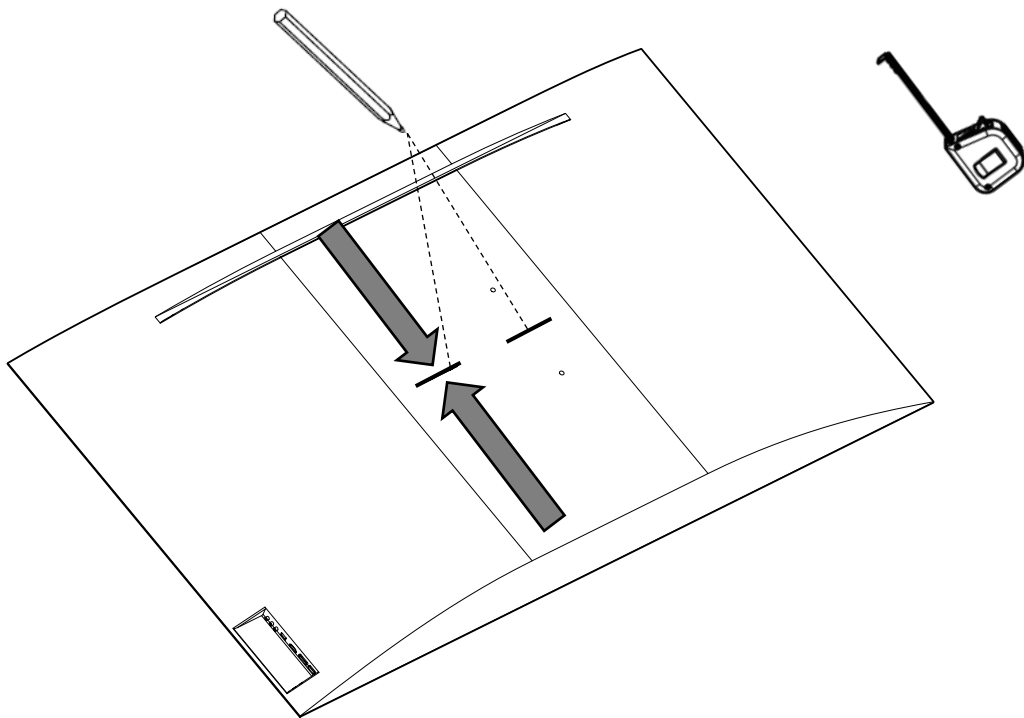


Yes, Spacer Needed

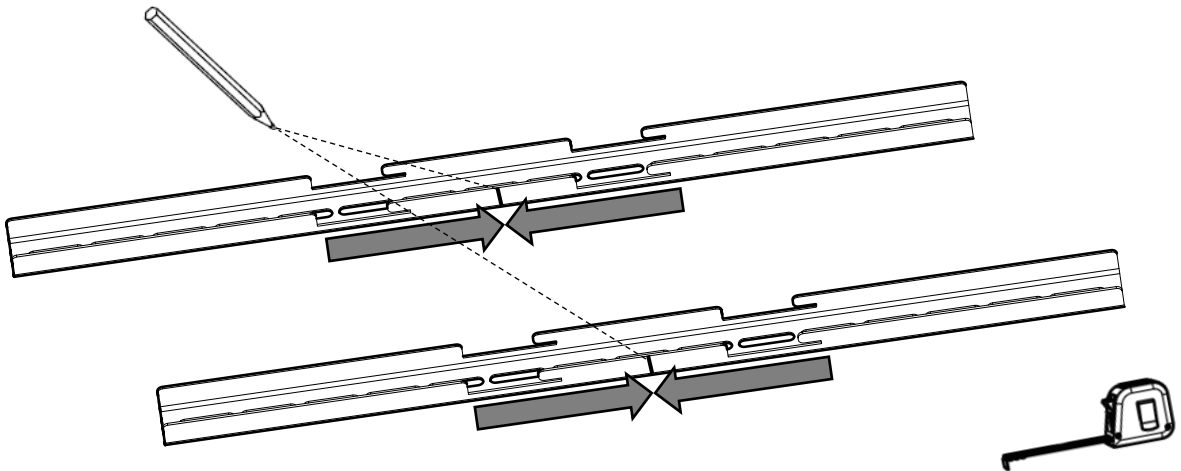


See the note on page 7 about spacer length.

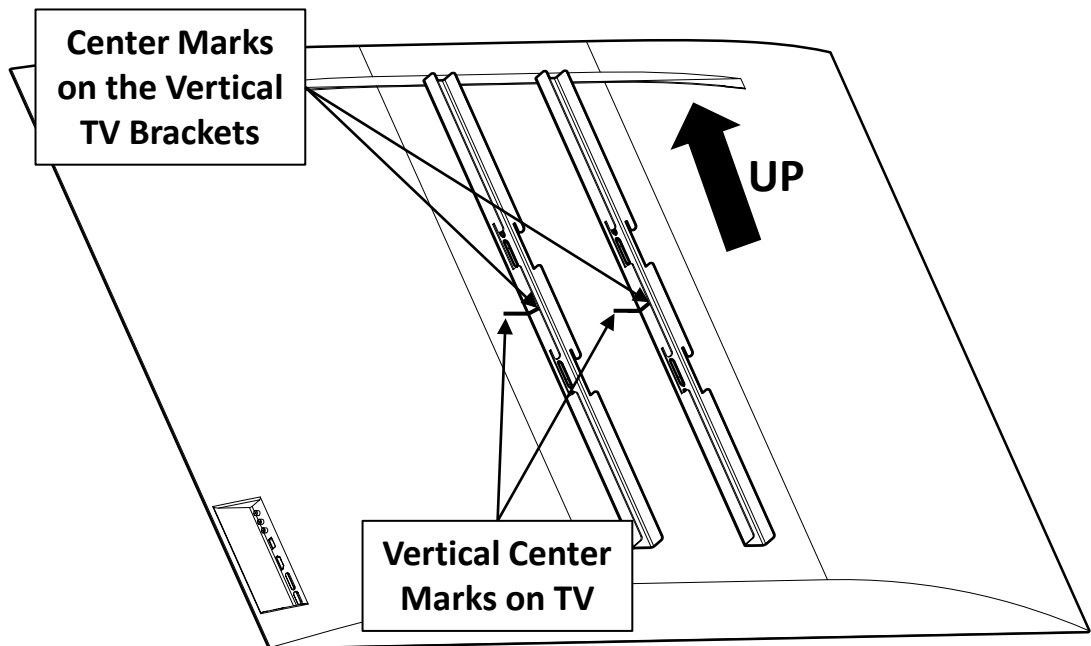
5B-3 Measure & Mark Vertical Center of TV



5B-4 Measure & Mark the center of the Vertical TV Mounting Brackets

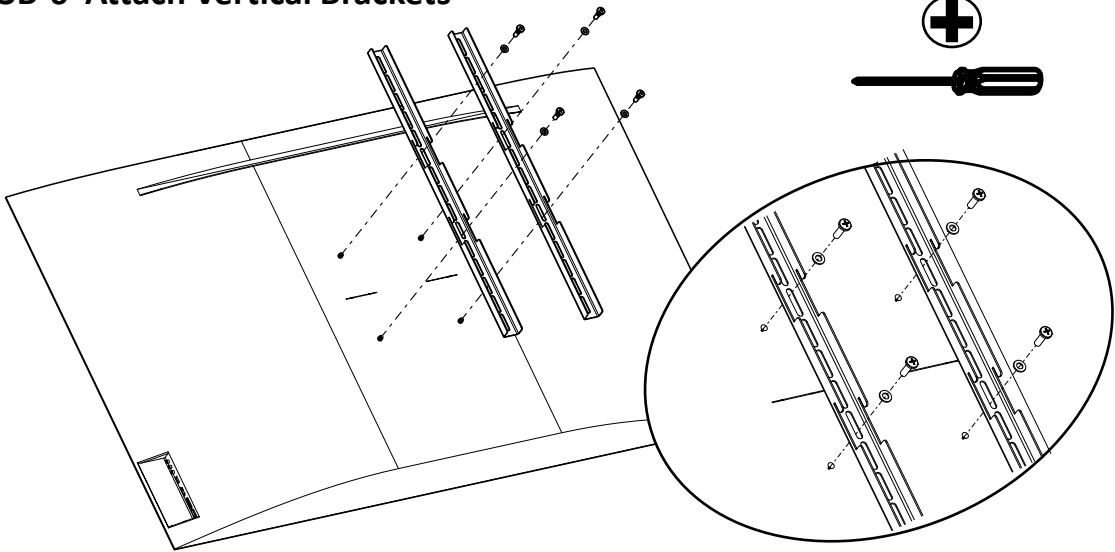


5B-5 Determine Placement of TV Vertical Mount Brackets

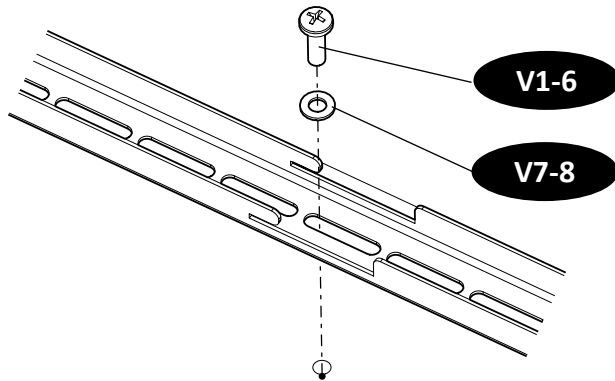


- Place the TV Vertical Mount Brackets over the VESA holes in the back of the TV.
- Align the marks on the brackets with the center mark on the TV.
- Adjust the brackets up or down slightly if the VESA holes do not align with the slots in the brackets.

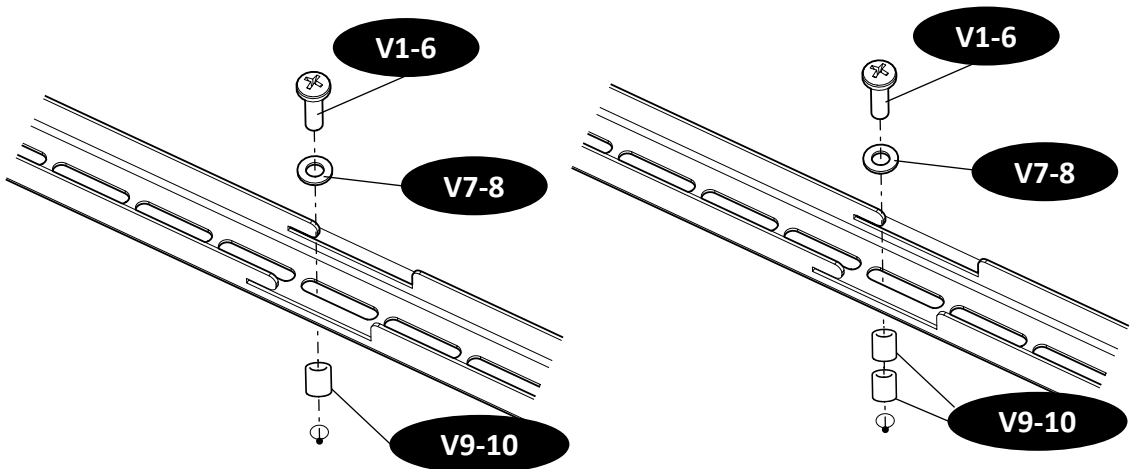
5B-6 Attach Vertical Brackets



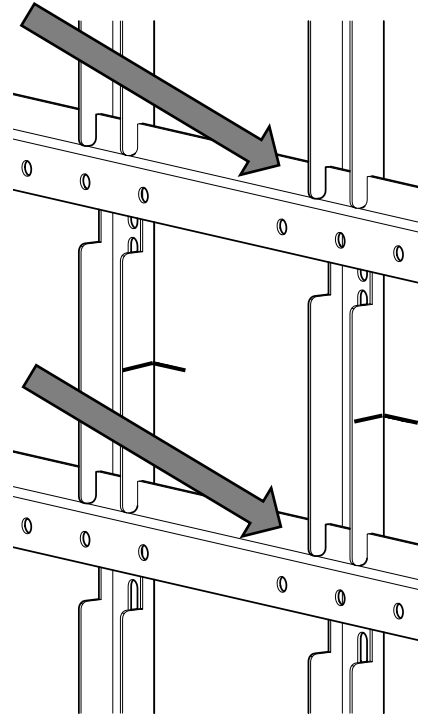
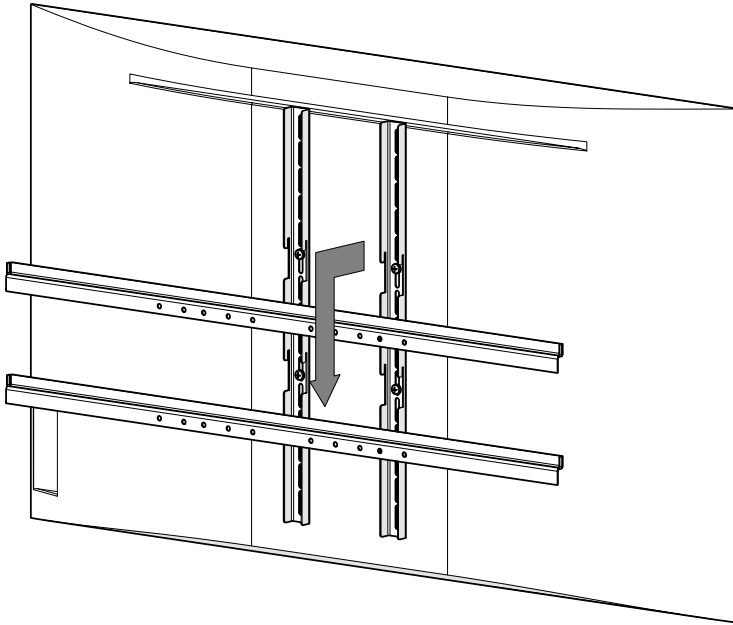
5B-7a Attachment without Spacers



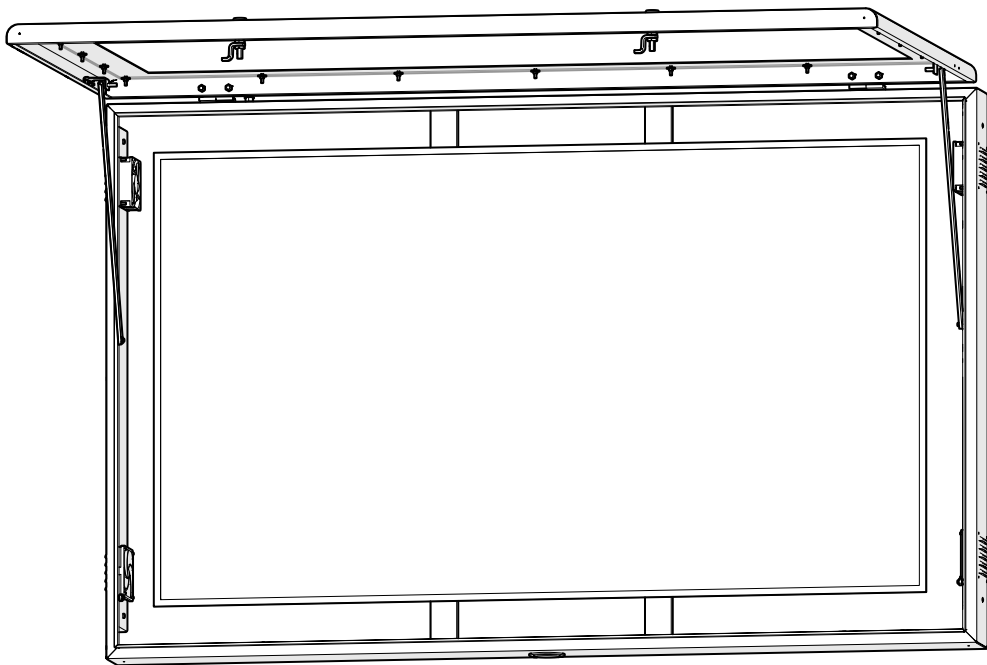
5B-7b Attachment with Spacers



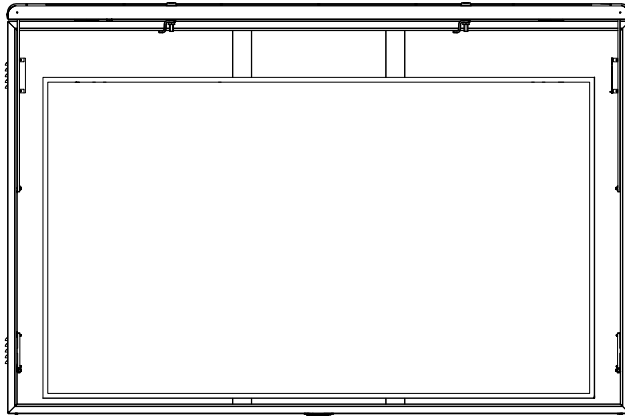
5B-8 Hang the TV in the TV Enclosure



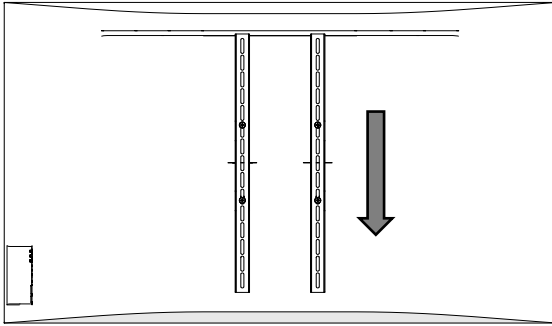
5B-9 Check TV Fit in the TV Enclosure



5B-10 Adjust Vertical Bracket Position if Necessary

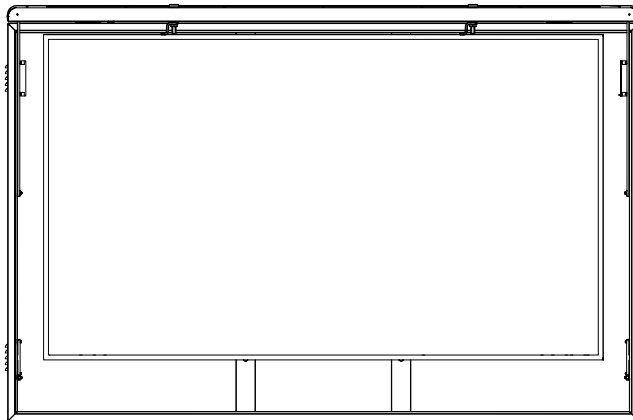


- If TV sits low in the TV enclosure;

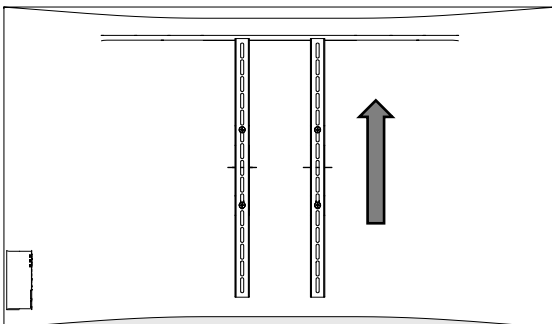


- Adjust Vertical TV Brackets down and re-hang.

5B-11 Adjust Vertical Bracket Position if Necessary

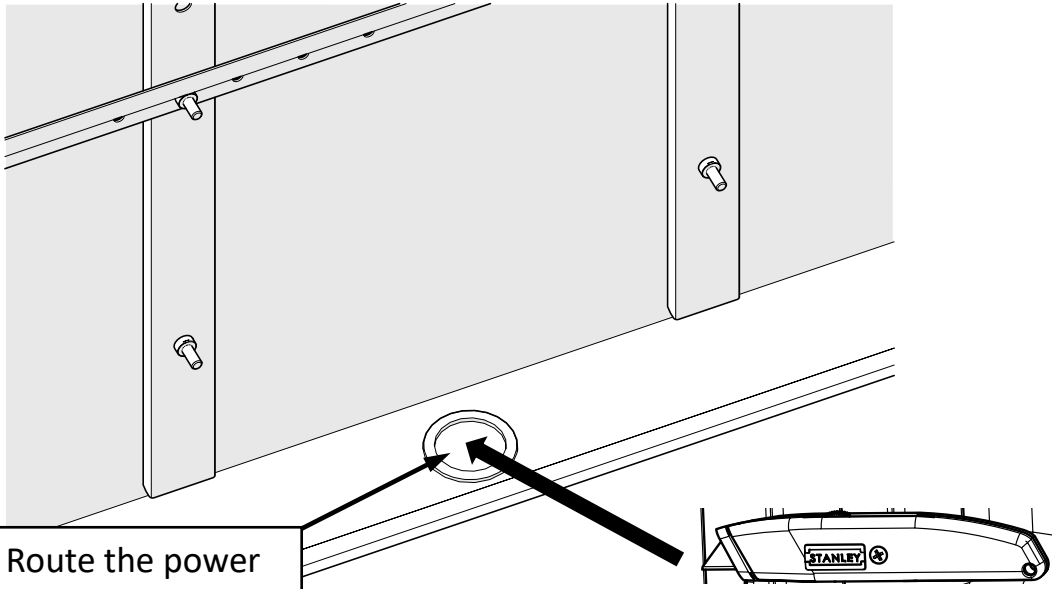


- If TV sits high in the TV enclosure;



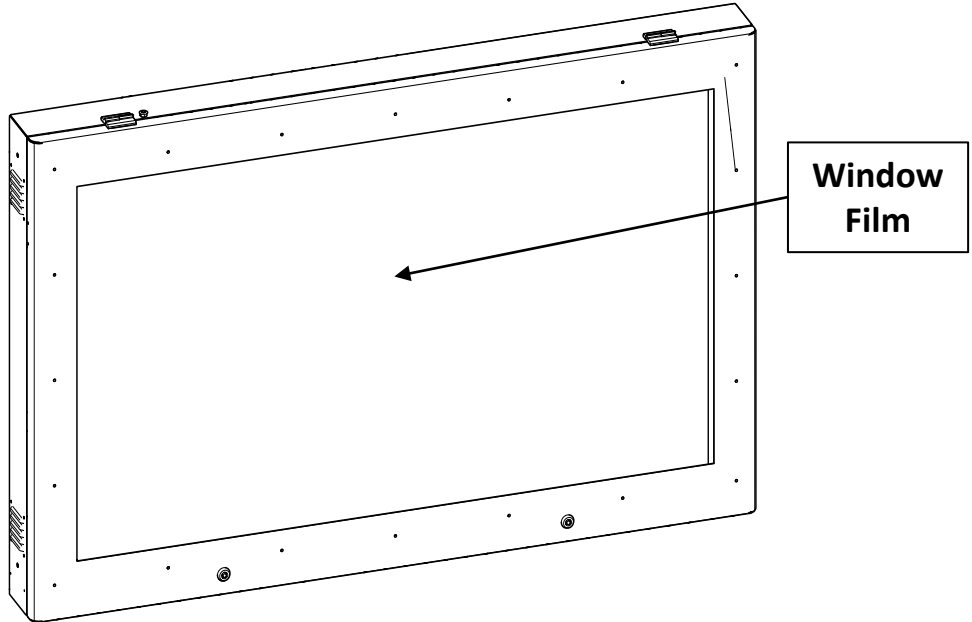
- Adjust Vertical TV Brackets up and re-hang

5B-12 Set TV Cables – Cut Cable Grommet



Route the power cord through the grommet

5B-13 Remove the Protective Film



Window Film

- Remove the protective film from the Door window.